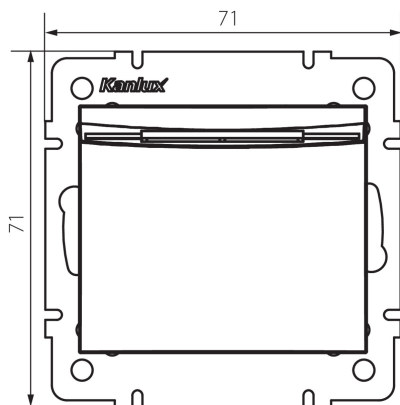


25202 LOGI 02-1190-143 sr

Energy Saving Switch - Delayed Power Off

5905339252029



Key card switch with switch-off delay. Switching off occurs 15 seconds after removing a key card.

GENERAL DATA:

Colour: silver

Place of assembly: Recessed mount in the wall

Width [mm]: 71

Height [mm]: 71

Diameter of an installation box: 60

Installation depth: 25

TECHNICAL DATA:

Rated voltage [V]: 250 AC

Class of protection against electric shock: II

Material of contacts: CuZn70

Terminal type: Screw terminal

Plastic: ABS

Rated current [AX]: 16

IP class: 20

LOGISTIC DATA:

Packaging method: 10

Number of units in the secondary packaging: 10

Number of units in the packaging: 120

Net unit weight [g]: 64

Grammage [g]: 82.83

Length of a unit pack [cm]: 10

Width of a unit pack [cm]: 4.5

Height of a unit pack [cm]: 14

Weight of a cardboard box [kg]: 9.9396

Width of a cardboard box [cm]: 26.5

Height of a cardboard box [cm]: 32

Length of a cardboard box [cm]: 44

Volume of a cardboard box [m³]: 0.037312

25202 LOGI 02-1190-143 sr

Energy Saving Switch - Delayed Power Off