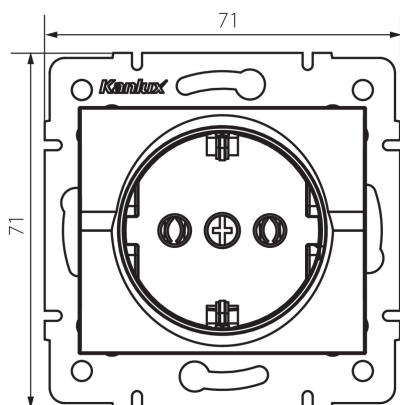


## 25204 LOGI 02-1220-143 sr

Schuko single power socket

5905339252043



A grounded single socket outlet (Schuko) allows you to power an electrical circuit with a maximum load of 16A.

### GENERAL DATA:

**Colour:** silver  
**Place of assembly:** Recessed mount in the wall  
**Width [mm]:** 71  
**Height [mm]:** 71  
**Diameter of an installation box:** 60  
**Installation depth:** 25  
**Number of sockets:** 1

### TECHNICAL DATA:

**Rated voltage [V]:** 250 AC  
**Rated current [A]:** 16  
**Class of protection against electric shock:** I  
**Material of contacts:** CuZn70  
**Earthing type:** type F  
**Terminal type:** Screw terminal  
**Plastic:** ABS  
**IP class:** 20

### LOGISTIC DATA:

**Packaging method:** 10  
**Number of units in the secondary packaging:** 10  
**Number of units in the packaging:** 120  
**Net unit weight [g]:** 66  
**Grammage [g]:** 78.25  
**Length of a unit pack [cm]:** 10  
**Width of a unit pack [cm]:** 4.5  
**Height of a unit pack [cm]:** 14  
**Weight of a cardboard box [kg]:** 9.39  
**Width of a cardboard box [cm]:** 26.5  
**Height of a cardboard box [cm]:** 32  
**Length of a cardboard box [cm]:** 44  
**Volume of a cardboard box [m³]:** 0.037312

## **25204** LOGI 02-1220-143 sr

---

Schuko single power socket