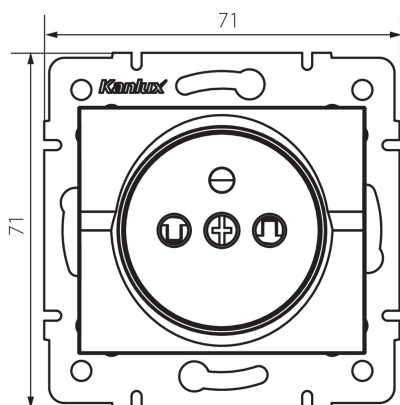


25208 LOGI 02-1250-143 sr

Type E single power socket with contact protection

5905339252081



A grounded single socket outlet allows you to power an electrical circuit with a maximum load of 16A. In addition, the socket outlet has a contact cover that protects you against electrical shock.

GENERAL DATA:

Colour: silver
Place of assembly: Recessed mount in the wall
Contact protection: yes
Width [mm]: 71
Height [mm]: 71
Diameter of an installation box: 60
Installation depth: 25
Number of sockets: 1

TECHNICAL DATA:

Rated voltage [V]: 250 AC
Rated current [A]: 16
Class of protection against electric shock: I
Material of contacts: CuZn70
Earthing type: Type E
Terminal type: Screw terminal
Plastic: ABS
IP class: 20

LOGISTIC DATA:

Packaging method: 10
Number of units in the secondary packaging: 10
Number of units in the packaging: 120
Net unit weight [g]: 68
Grammage [g]: 80.33
Length of a unit pack [cm]: 10
Width of a unit pack [cm]: 4
Height of a unit pack [cm]: 14
Weight of a cardboard box [kg]: 9.6396
Width of a cardboard box [cm]: 25.5

25208 LOGI 02-1250-143 sr

Type E single power socket with contact protection

Height of a cardboard box [cm]: 32
Length of a cardboard box [cm] : 44
Volume of a cardboard box [m³]: 0.035904