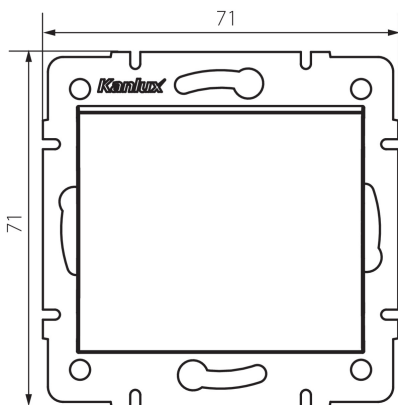


25252 LOGI 02-1070-141 gr

Cross connector

5905339252524



A crossbar switch is used for cooperation with single-pole double-throw switches in order to control the circuit of a lamp or a group of lamps from more than two places. A crossbar switch is installed between single-pole double-throw switches.

GENERAL DATA:

Colour: graphite
Place of assembly: Recessed mount in the wall
Highlighting: no
Width [mm]: 71
Height [mm]: 71
Diameter of an installation box: 60
Installation depth: 25

TECHNICAL DATA:

Rated voltage [V]: 250 AC
Material of contacts: CuZn70
Terminal type: Screw terminal
Plastic: ABS
Number of levers: 1
Rated current [AX]: 10
IP class: 20

LOGISTIC DATA:

Packaging method: 10
Number of units in the secondary packaging: 10
Number of units in the packaging: 120
Net unit weight [g]: 74
Grammage [g]: 86
Length of a unit pack [cm]: 10
Width of a unit pack [cm]: 4
Height of a unit pack [cm]: 14
Weight of a cardboard box [kg]: 10.32
Width of a cardboard box [cm]: 25.5
Height of a cardboard box [cm]: 32
Length of a cardboard box [cm]: 44

Date of issue: 15.11.2022, 22:16

We reserve the right to make technical changes. The data contained in this material are not legally binding.
 Photometry: the results obtained from testing were from a specific sample.

25252 LOGI 02-1070-141 gr

Cross connector

Volume of a cardboard box [m³]: 0.035904