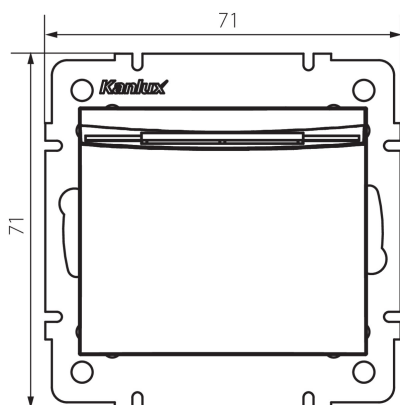


25261 LOGI 02-1190-141 gr

Energy Saving Switch - Delayed Power Off

5905339252616



Key card switch with switch-off delay. Switching off occurs 15 seconds after removing a key card.

GENERAL DATA:

Colour: graphite
Place of assembly: Recessed mount in the wall
Width [mm]: 71
Height [mm]: 71
Diameter of an installation box: 60
Installation depth: 25

TECHNICAL DATA:

Rated voltage [V]: 250 AC
Class of protection against electric shock: II
Material of contacts: CuZn70
Terminal type: Screw terminal
Plastic: ABS
Rated current [AX]: 16
IP class: 20

LOGISTIC DATA:

Packaging method: 10
Number of units in the secondary packaging: 10
Number of units in the packaging: 120
Net unit weight [g]: 64
Grammage [g]: 82.83
Length of a unit pack [cm]: 10
Width of a unit pack [cm]: 4.5
Height of a unit pack [cm]: 14
Weight of a cardboard box [kg]: 9.9396
Width of a cardboard box [cm]: 26.5
Height of a cardboard box [cm]: 32
Length of a cardboard box [cm]: 44
Volume of a cardboard box [m³]: 0.037312

25261 LOGI 02-1190-141 gr

Energy Saving Switch - Delayed Power Off