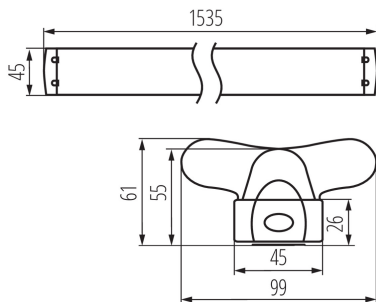
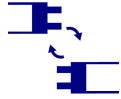


26365 ALDO 4LED 2X150

T8 LED tube linear fittings

5905339263650



Kanlux ALDO 4LED are a family of batten luminaires adapted to T8 LED fluorescent lamps. They are wall and ceiling luminaires characterised by modern, streamlined shape so they fit discreetly in each interior arrangement.

GENERAL DATA:

Colour: white

Place of assembly: ceiling mounted

Place of application: Indoors

Minimum distance from the illuminated object : 0,5m

Power supply of T8 LED fluorescent lamps : Unilateral

Length [mm]: 1535

Width [mm]: 99.5

Height [mm]: 61.5

TECHNICAL DATA:

Rated voltage [V]: 220-240 AC

Rated frequency [Hz]: 50

Maximum power [W]: 2 x max 58

Class of protection against electric shock : I

Light source: T8 LED

Light source included: no

Cap: G13

Ambient temperature range to which the product can be exposed: 5÷25

Enclosure material: Metal, plastic

Connection type: Bolt terminal block

Range of sections of wires used [mm²]: 0,5-2,5

IP class: 20

LOGISTIC DATA:

Unit of measurement: unit

Packaging method: 16

Number of units in the secondary packaging : 1

Number of units in the packaging: 16

Net unit weight [g]: 680

Grammage [g]: 825.63

Length of a unit pack [cm]: 153.5

Width of a unit pack [cm]: 4.5

Height of a unit pack [cm]: 3

Weight of a cardboard box [kg]: 13.21008

Width of a cardboard box [cm]: 21

Height of a cardboard box [cm]: 13.5

T8 LED tube linear fittings



Length of a cardboard box [cm] : 155

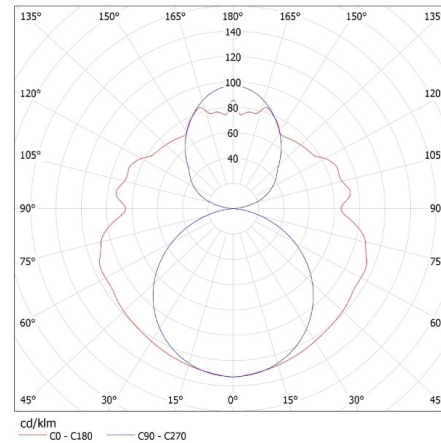
Volume of a cardboard box [m³] : 0.043943

ADDITIONAL INFORMATION:

- The fittings are intended for sources T8 LED 220-240 V~; 50/60 Hz with one-sided power supply

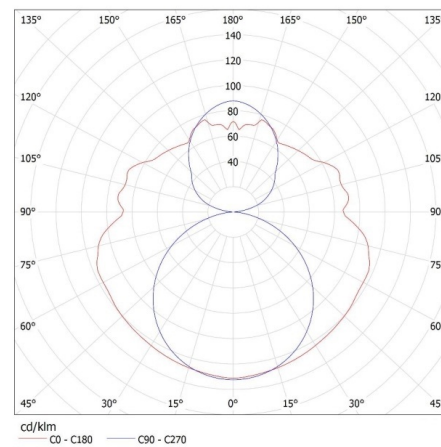
KANLUX S.A. (kat 26365) ALDO 4LED 2X150 + GLASSv3 / LDC (Polar)

Luminaire: KANLUX S.A. (kat 26365) ALDO 4LED 2X150 + GLASSv3
Lamps: 2 x T8 LED GLASSv3 24W-NW



KANLUX S.A. (kat 26365) ALDO 4LED 2X150 + GLASSv2 / Krzywa rozsyłu światła (biegunowo)

Oprawa: KANLUX S.A. (kat 26365) ALDO 4LED 2X150 + GLASSv2
Lampy: 2 x T8 LED GLASSv2 24W-NW



KANLUX S.A. (kat 26365) ALDO 4LED 2X150 + Miledo / Krzywa rozsyłu światła (biegunowo)

Oprawa: KANLUX S.A. (kat 26365) ALDO 4LED 2X150 + Miledo
Lampy: 2 x T8 LED 22W-NW

