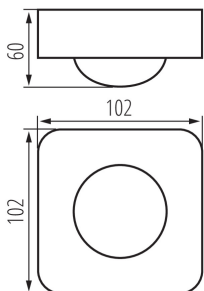


PIR motion sensor

5905339268211



Kanlux SENZO is a PIR movement sensor used in automatic lighting switching systems. The special arrangement of two infrared sensors in Kanlux SENZO allows it to be used in high room installations, such as warehouses or production halls. Its vertical range is as much as 10 meters.

### GENERAL DATA:

**Colour:** white  
**Place of assembly:** wall mounted, ceiling mounted  
**Place of application:** Indoors  
**Micro-interval between relay contacts:** yes  
**Length [mm]:** 102  
**Width [mm]:** 102  
**Height [mm]:** 60  
**Sensitivity regulation:** yes

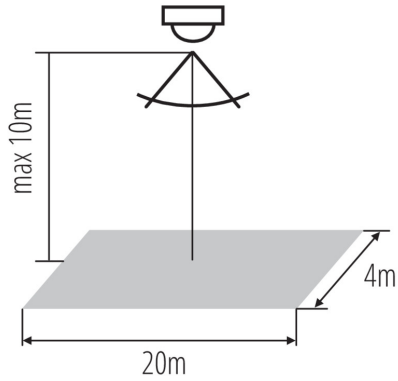
### TECHNICAL DATA:

**Rated voltage [V]:** 220-240 AC  
**Rated frequency [Hz]:** 50  
**Class of protection against electric shock:** II  
**Material:** plastic  
**Ambient temperature range to which the product can be exposed:** 5÷25  
**Sensor type:** 2xPIR  
**Connection type:** Terminal block  
**Range of sections of wires used [mm<sup>2</sup>]:** 0,75÷1,5  
**Sensor-operation time [second-minute]:** 10-30  
**sensor working angle [°]:** H360/V120  
**Maximum operating time [min]:** 30  
**Minimum operating time[s]:** 10  
**Maximum power [VA]:** 2000  
**Illumination-level setpoint by which the sensor detects movement [lx]:** 3-2000  
**IP class:** 20  
**Sensor range[m]:** max 10

### LOGISTIC DATA:

**Packaging method:** 50  
**Number of units in the secondary packaging:** 1  
**Number of units in the packaging:** 50  
**Net unit weight [g]:** 144  
**Grammage [g]:** 201.4  
**Length of a unit pack [cm]:** 11  
**Width of a unit pack [cm]:** 7  
**Height of a unit pack [cm]:** 11

PIR motion sensor



**Weight of a cardboard box [kg]:** 10.07

**Width of a cardboard box [cm]:** 39

**Height of a cardboard box [cm]:** 24

**Length of a cardboard box [cm] :** 56

**Volume of a cardboard box [m<sup>3</sup>]:** 0.052416