

27187 DOMO 01-1250-203 kr

Type E single power socket with contact protection

5905339271877



GENERAL DATA:

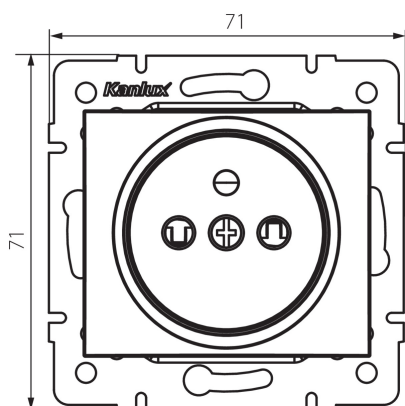
Colour: Ecrú
Place of assembly: Recessed mount in the wall
Contact protection: yes
Width [mm]: 71
Height [mm]: 71
Diameter of an installation box: 60
Installation depth: 25
Number of sockets: 1

TECHNICAL DATA:

Rated voltage [V]: 250 AC
Rated current [A]: 16
Class of protection against electric shock: I
Material: PC
Material of contacts: CuSn94
Earthing type: Type E
Terminal type: Quick-fit coupling
Plastic: PC
IP class: 20

LOGISTIC DATA:

Packaging method: 10
Number of units in the secondary packaging: 10
Number of units in the packaging: 120
Net unit weight [g]: 70
Grammage [g]: 81.25
Length of a unit pack [cm]: 10
Width of a unit pack [cm]: 5
Height of a unit pack [cm]: 14
Weight of a cardboard box [kg]: 9.75
Width of a cardboard box [cm]: 23
Height of a cardboard box [cm]: 32
Length of a cardboard box [cm]: 44
Volume of a cardboard box [m³]: 0.032384



27187 DOMO 01-1250-203 kr

Type E single power socket with contact protection