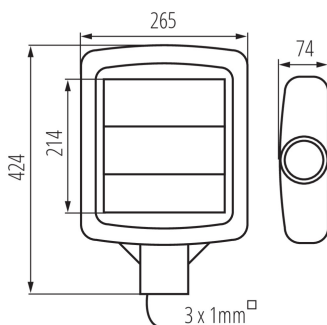


27331 STREET LED 8000 NW

Parking lighting LED

5905339273314



The Kanlux STREET LED is equipped with very-high quality LED's, which are fitted in replaceable modules. Their efficacy is at least 130 lumen for 1 Watt! Their modern design fits in very well with urban spaces. We recommend the ADTR15D adapter for these fixtures.

GENERAL DATA:

Colour: grey
Place of application: Indoors and outdoors
Minimum distance from the illuminated object: 1m
Compatible with a dimmer: no
Replaceable light source: no
Length [mm]: 265
Width [mm]: 74
Height [mm]: 424
Wire length [m]: 0.4
Integrated LED light source: yes

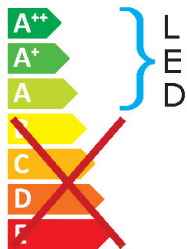
TECHNICAL DATA:

Rated voltage [V]: 220-240 AC
Rated frequency [Hz]: 50/60
Maximum power [W]: 60
Class of protection against electric shock: I
Lampshade material: plastic
Diode type: LED SMD
Luminous flux [lm]: 7800
Colour temperature: white
Colour temperature [K]: 4000
Colour uniformity [SDCM]: ≤6
Colour-rendering index Ra: ≥70
Service life [h]: 35000
Number of on/off cycles: ≥20000
Lighting angle [°]: X100/Y145
Luminous efficiency of the lamp [lm/W]: 130
Ambient temperature range to which the product can be exposed: -35÷40
Enclosure material: aluminum alloy
Connection type: Free cable ends
Wire diameter [mm²]: 1
The fixture set includes built-in LED's with the following energy classes: A++,A+,A
Lamp-heating time [s]: ≤1
Lamp-ignition time [s]: ≤0,5
IP class: 65


Parking lighting LED

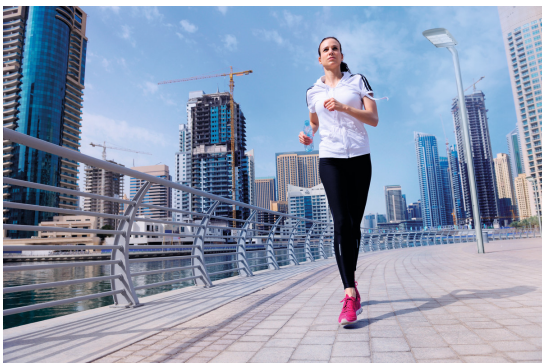
Kanlux STREET LED

The fixture includes built-in LED lamps.



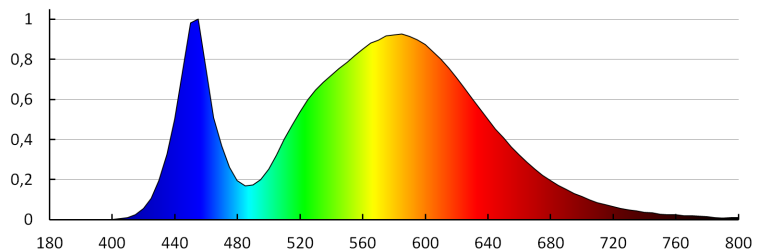
The fixture includes built-in LED lamps.

874/2012 



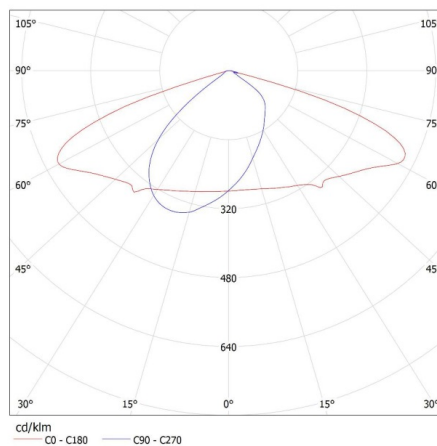
LOGISTIC DATA:

Unit of measurement: unit
Packaging method: 1
Number of units in the secondary packaging: 1
Number of units in the packaging: 1
Net unit weight [g]: 2569
Grammage [g]: 3000
Length of a unit pack [cm]: 46
Width of a unit pack [cm]: 13
Height of a unit pack [cm]: 31.5
Weight of a cardboard box [kg]: 3
Width of a cardboard box [cm]: 13
Height of a cardboard box [cm]: 31.5
Length of a cardboard box [cm]: 46
Volume of a cardboard box [m³]: 0.018837



KANLUX S.A. (kat 27331) STREET LED 8000 NW / LDC (Polar)

Luminaire: KANLUX S.A. (kat 27331) STREET LED 8000 NW
 Lamps: 1 x STREET LED 8000 NW



27331 STREET LED 8000 NW

Parking lighting LED

ACCESSORIES:

27333 STREET LED ADTR 15D



Adjustable adaptor intended for installing STREET LED parking fixtures on vertical posts with \varnothing 60mm to \varnothing 63mm diameter ends.