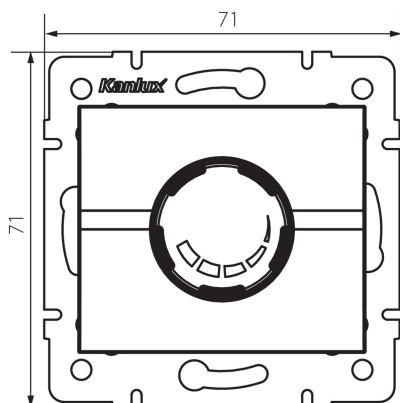


## 28752 LOGI 02-1161-143

LED switch / dimmer

5905339287526



A LED dimmer switch is used to control the light intensity of a lamp or a group of lamps. The dimmer switch works with LED light sources intended for trailing/leading edge dimming.

#### GENERAL DATA:

**Colour:** silver  
**Place of assembly:** Recessed mount in the wall  
**Place of application:** Indoors  
**Width [mm]:** 71  
**Height [mm]:** 71  
**Diameter of an installation box:** 60

#### TECHNICAL DATA:

**Rated voltage [V]:** 250 AC  
**Rated frequency [Hz]:** 50  
**Rated power [W]:** 3-100  
**Rated power (LED) [W]:** 3-100  
**Class of protection against electric shock:** II  
**Ambient temperature range to which the product can be exposed:** 5÷25  
**Connection type:** Bolt terminal block  
**Terminal type:** Screw terminal  
**Plastic:** ABS  
**IP class:** 20

#### LOGISTIC DATA:

**Packaging method:** 120  
**Number of units in the packaging:** 120  
**Net unit weight [g]:** 92  
**Grammage [g]:** 109.83  
**Length of a unit pack [cm]:** 14  
**Width of a unit pack [cm]:** 17  
**Height of a unit pack [cm]:** 4.5  
**Weight of a cardboard box [kg]:** 13.1796  
**Width of a cardboard box [cm]:** 38  
**Height of a cardboard box [cm]:** 32

**28752** LOGI 02-1161-143

---

LED switch / dimmer

**Length of a cardboard box [cm] : 48**

**Volume of a cardboard box [m<sup>3</sup>]: 0.058368**