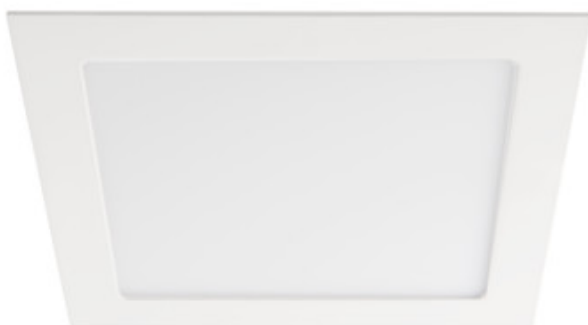


Downlight fitting

5905339289452

IP  
44/20

EA  
SY  
Installation



Kanlux KATRO V2LED is a new version of KATRO N LED luminaires, popular square downlights for indoor use. They combine aesthetic design with light obtained owing to LED technology. No water or dust can get to the inside owing to the high class of tightness (IP44).

### GENERAL DATA:

**Colour:** white

**Place of assembly:** Recessed mount in the ceiling

**Place of application:** Indoors

**Minimum distance from the illuminated object:** 0,5m

**Compatible with a dimmer:** no

**The product is not suitable to be covered with a heat-insulating material:** yes

**Length [mm]:** 300

**Width [mm]:** 300

**Height [mm]:** 20

**Assembly hole [mm]:** 280x280

**Integrated LED light source:** yes

### TECHNICAL DATA:

**Rated voltage [V]:** 220-240 AC

**Rated frequency [Hz]:** 50

**Maximum power [W]:** 24

**Class of protection against electric shock:** II

**Lampshade material:** plastic

**Diode type:** LED SMD

**Luminous flux [lm]:** 1680

**Useful luminous flux of the light source  $\Phi_{use}$  [lm]:** in sphere (360°)

**Colour temperature:** white

**Correlated colour temperature [K]:** 4000

**Colour consistency in McAdam ellipses:**  $\leq 6$

**Colour rendering index:** 80

**Service life [h]:** 15000

**Number of on/off cycles:**  $\geq 20000$

**Lighting angle [°]:** 110

**Luminous efficiency of the lamp [lm/W]:** 70

**Ambient temperature range to which the product can be exposed:** 5÷25

**Enclosure material:** aluminum alloy

**Reflector material:** 0.75

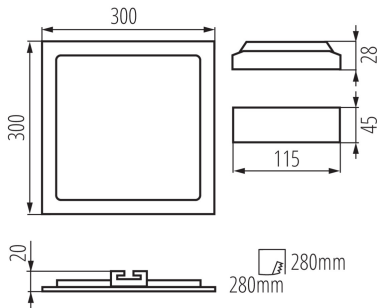
**Connection type:** Free cable ends

**Wire length [m]:** 0.05

**Wire diameter [mm<sup>2</sup>]:** 0.75

## 28945 KATRO V2LED 24W-NW-W

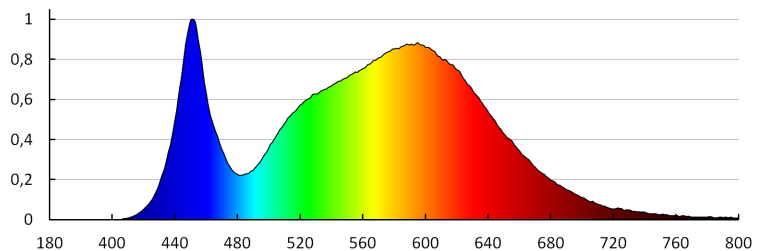
Downlight fitting



**Lamp-heating time [s]:**  $\leq 1$   
**Lamp-ignition time [s]:**  $\leq 0,5$   
**IP class:** 44/20

### LOGISTIC DATA:

**Packaging method:** 10  
**Number of units in the secondary packaging:** 1  
**Number of units in the packaging:** 10  
**Net unit weight [g]:** 760  
**Grammage [g]:** 964  
**Length of a unit pack [cm]:** 30  
**Width of a unit pack [cm]:** 3  
**Height of a unit pack [cm]:** 34  
**Weight of a cardboard box [kg]:** 9.64  
**Width of a cardboard box [cm]:** 33  
**Height of a cardboard box [cm]:** 37  
**Length of a cardboard box [cm]:** 33.5  
**Volume of a cardboard box [m<sup>3</sup>]:** 0.040904



KANLUX S.A. (kat 28945) KATRO V2LED24W-NW-W / LDC (Polar)

Luminaire: KANLUX S.A. (kat 28945) KATRO V2LED24W-NW-W  
Lamps: 1 x KATRO V2LED24W-NW-W

