

## 29586 AREL LED DL 10W-NW

Downlight fitting

5905339295866

IP  
65/20

ultra  
SLIM  
panel

HIGH  
quality



Kanlux AREL LED is a new family of downlights which do not have frame. High tightness class IP65/20 and exceptional, simple, and at the same time surprising design make Kanlux AREL LED fit into each interior. Thanks to the unique structure, the panel is only 9 mm thick - it is the thinnest panel available on the market.

### GENERAL DATA:

**Colour:** white

**Place of assembly:** Recessed mount in the ceiling

**Place of application:** Indoors

**Minimum distance from the illuminated object:** 0,5m

**Compatible with a dimmer:** no

**The product is not suitable to be covered with a heat-insulating material:** yes

**Length [mm]:** 125

**Width [mm]:** 125

**Height [mm]:** 23

**Assembly hole [mm]:** 110x110

**Integrated LED light source:** yes

### TECHNICAL DATA:

**Rated voltage [V]:** 220-240 AC

**Rated frequency [Hz]:** 50

**Maximum power [W]:** 10

**Class of protection against electric shock:** II

**Lampshade material:** PMMA

**Diode type:** LED SMD

**Luminous flux [lm]:** 1000

**Useful luminous flux of the light source  $\Phi_{use}$  [lm]:** 1270

**Useful luminous flux of the light source  $\Phi_{use}$  [lm]:** in sphere (360°)

**Colour temperature:** white

**Correlated colour temperature [K]:** 4000

**Colour consistency in McAdam ellipses:**  $\leq 6$

**Colour rendering index:** 80

**Service life [h]:** 15000

**Number of on/off cycles:**  $\geq 30000$

**Lighting angle [°]:** 120

**Luminous efficiency of the lamp [lm/W]:** 100

**Ambient temperature range to which the product can be exposed:** 5÷25

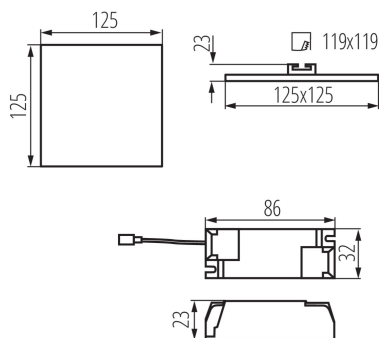
**Enclosure material:** aluminum alloy

**Connection type:** Terminal block

**Range of sections of wires used [mm<sup>2</sup>]:** 0,75-1,5

## 29586 AREL LED DL 10W-NW

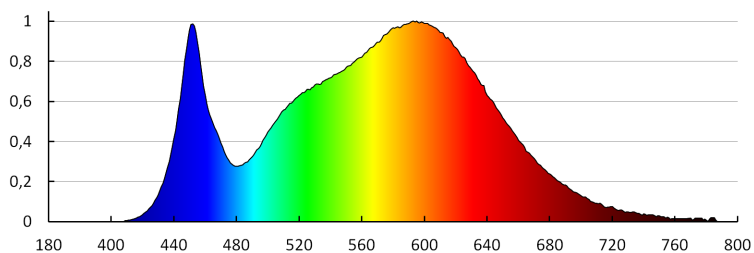
Downlight fitting



**Lamp-heating time [s]:**  $\leq 1$   
**Lamp-ignition time [s]:**  $\leq 0,5$   
**IP class:** 65/20

### LOGISTIC DATA:

**Packaging method:** 100  
**Number of units in the secondary packaging:** 1  
**Number of units in the packaging:** 100  
**Net unit weight [g]:** 190  
**Grammage [g]:** 244.9  
**Length of a unit pack [cm]:** 15.5  
**Width of a unit pack [cm]:** 3  
**Height of a unit pack [cm]:** 16  
**Weight of a cardboard box [kg]:** 24.49  
**Width of a cardboard box [cm]:** 33.5  
**Height of a cardboard box [cm]:** 34.5  
**Length of a cardboard box [cm]:** 78  
**Volume of a cardboard box [m<sup>3</sup>]:** 0.090149



KANLUX S.A. (kat 29586) AREL LED DL 10W-NW / LDC (Polar)

Luminaire: KANLUX S.A. (kat 29586) AREL LED DL 10W-NW  
 Lamps: 1 x AREL LED DL 10W-NW

