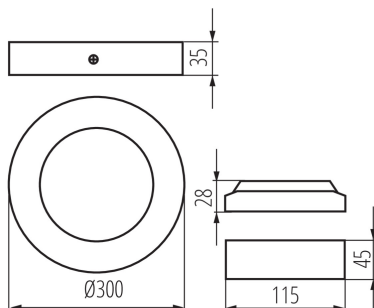
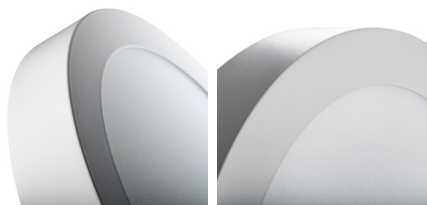


Downlight fitting

5905339335418



Kanlux CARSA V2 LED is a round façade luminaire characterised by harmonious combination of LED technology with attractive and modern looks. It is distinguished by high energy efficiency with maintained excellent light parameters. Kanlux CARSA V2 LED is perfect for lighting residential interiors and office rooms.

### GENERAL DATA:

**Colour:** white  
**Place of assembly:** ceiling mounted  
**Place of application:** Indoors  
**Minimum distance from the illuminated object:** 0,5m  
**Compatible with a dimmer:** no  
**The product is not suitable to be covered with a heat-insulating material:** yes  
**Height [mm]:** 35  
**Diameter [mm]:** 300  
**Integrated LED light source:** yes

### TECHNICAL DATA:

**Rated voltage [V]:** 220-240 AC  
**Rated frequency [Hz]:** 50  
**Maximum power [W]:** 24  
**Class of protection against electric shock:** II  
**Lampshade material:** plastic  
**Diode type:** LED SMD  
**Luminous flux [lm]:** 1680  
**Useful luminous flux of the light source  $\Phi_{use}$  [lm]:** 2700  
**Useful luminous flux of the light source  $\Phi_{use}$  [lm]:** in sphere (360°)  
**Colour temperature:** white  
**Correlated colour temperature [K]:** 4000  
**Colour consistency in McAdam ellipses:**  $\leq 6$   
**Colour rendering index:** 80  
**Service life [h]:** 15000  
**Number of on/off cycles:**  $\geq 20000$   
**Lighting angle [°]:** 110  
**Luminous efficiency of the lamp [lm/W]:** 70  
**Ambient temperature range to which the product can be exposed:** 5÷25  
**Enclosure material:** aluminum alloy  
**Connection type:** Free cable ends  
**Wire length [m]:** 0.05  
**Wire diameter [mm<sup>2</sup>]:** 0.75  
**Lamp-heating time [s]:**  $\leq 1$   
**Lamp-ignition time [s]:**  $\leq 0,5$

## 33541 CARSA V2LED 24W-NW-W

Downlight fitting



**IP class:** 20

### LOGISTIC DATA:

**Packaging method:** 10

**Number of units in the secondary packaging:** 1

**Number of units in the packaging:** 10

**Net unit weight [g]:** 742

**Grammage [g]:** 953

**Length of a unit pack [cm]:** 30.5

**Width of a unit pack [cm]:** 4.5

**Height of a unit pack [cm]:** 30.5

**Weight of a cardboard box [kg]:** 9.53

**Width of a cardboard box [cm]:** 32

**Height of a cardboard box [cm]:** 33

**Length of a cardboard box [cm] :** 48

**Volume of a cardboard box [m<sup>3</sup>]:** 0.050688

KANLUX S.A. (kat 33541) CARSA V2LED 24W-NW-W / LDC (Polar)

Luminaire: KANLUX S.A. (kat 33541) CARSA V2LED 24W-NW-W  
Lamps: 1 x CARSA V2LED 24W-NW-W

