

## 33607 LOGI 02-1561-142 cm

Type E power socket, IP44

5905339336071



A grounded single socket outlet allows you to power an electrical circuit with a maximum load of 16A. In addition, the socket outlet has a hinged lid, thanks to which it maintains the IP rating of IP 44 and may be installed in areas with splash water (bathrooms).

### GENERAL DATA:

**Colour:** black matt  
**Place of assembly:** Recessed mount in the wall  
**Width [mm]:** 71  
**Height [mm]:** 71  
**Diameter of an installation box:** 60  
**Installation depth:** 25  
**Number of sockets:** 1

### TECHNICAL DATA:

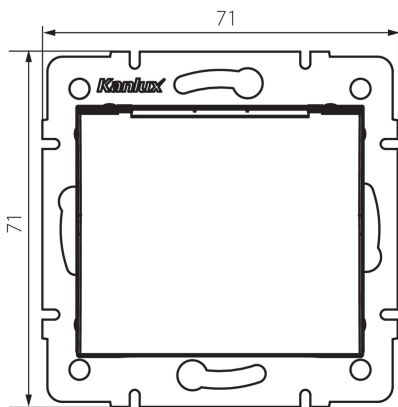
**Rated voltage [V]:** 250 AC  
**Rated current [A]:** 16  
**Class of protection against electric shock:** I  
**Material of contacts:** CuZn70  
**Earthing type:** Type E  
**Terminal type:** Screw terminal  
**Plastic:** ABS  
**IP class:** 44

### LOGISTIC DATA:

**Packaging method:** 10  
**Number of units in the secondary packaging:** 10  
**Number of units in the packaging:** 120  
**Net unit weight [g]:** 78  
**Grammage [g]:** 92.17  
**Length of a unit pack [cm]:** 10  
**Width of a unit pack [cm]:** 5  
**Height of a unit pack [cm]:** 14  
**Weight of a cardboard box [kg]:** 11.0604  
**Width of a cardboard box [cm]:** 26.5

## 33607 LOGI 02-1561-142 cm

Type E power socket, IP44



**Height of a cardboard box [cm]:** 32  
**Length of a cardboard box [cm] :** 44  
**Volume of a cardboard box [m<sup>3</sup>]:** 0.037312