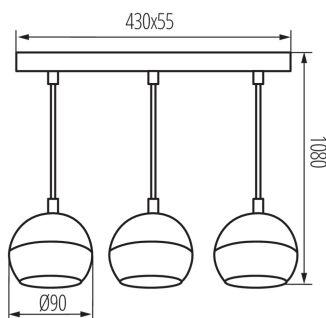


33685 GALOBA C 3xGU10 B

Pendant lamp

5905339336859



Kanlux GALOBA is a complete series of luminaires, including pendant lamps (GALOBA C), wall lamps (GALOBA W) and wall and ceiling fixtures. Kanlux GALOBA C pendant lamps can be successfully used for the lighting of islands or tables, while wall and ceiling lamps (from 1 to 4 points of light) can be used in a living room, hall or bedroom. The arrangement can be completed with wall lamps, which have a switch in the base. All luminaires from the Kanlux GALOBA series have a detachable lampshade thanks to which the light sources can be quickly and comfortably replaced.

GENERAL DATA:

Colour: black

Place of assembly: ceiling mounted

Place of application: Indoors

Minimum distance from the illuminated object: 0,5m

Length [mm]: 430

Width [mm]: 55

Height [mm]: 1080

Diameter [mm]: 90

TECHNICAL DATA:

Rated voltage [V]: 220-240 AC

Rated frequency [Hz]: 50

Maximum power [W]: 3 x max 35

Class of protection against electric shock: I

Light source: PAR16

Light source included: no

Cap: GU10

Ambient temperature range to which the product can be exposed: 5÷25

Enclosure material: aluminum alloy

Connection type: Bolt terminal block

Range of sections of wires used [mm²]: 0,75÷1,5

IP class: 20

LOGISTIC DATA:

Packaging method: 8

Number of units in the secondary packaging: 1

Number of units in the packaging: 8

Net unit weight [g]: 1008

Grammage [g]: 1400

Length of a unit pack [cm]: 47.5

Width of a unit pack [cm]: 20.5

Pendant lamp

Height of a unit pack [cm]: 14.5

Weight of a cardboard box [kg]: 11.2

Width of a cardboard box [cm]: 50

Height of a cardboard box [cm]: 43

Length of a cardboard box [cm] : 60

Volume of a cardboard box [m³]: 0.129

ADDITIONAL INFORMATION:

- Maximum light-source height 55mm