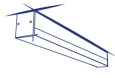


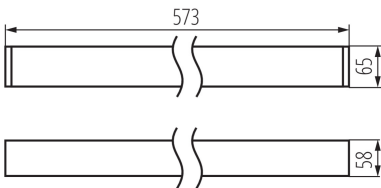
34156 ALD-SL-NW-MPR-W-NT

Linear LED luminaire

5905339341563



DALI
system



GENERAL DATA:

Colour: white
Place of assembly: ceiling mounted
Place of application: Indoors
Minimum distance from the illuminated object: 0,5m
Compatible with a dimmer: DALI
Fixture lighting direction: down
Length [mm]: 580
Width [mm]: 60
Height [mm]: 69
Integrated LED light source: yes

TECHNICAL DATA:

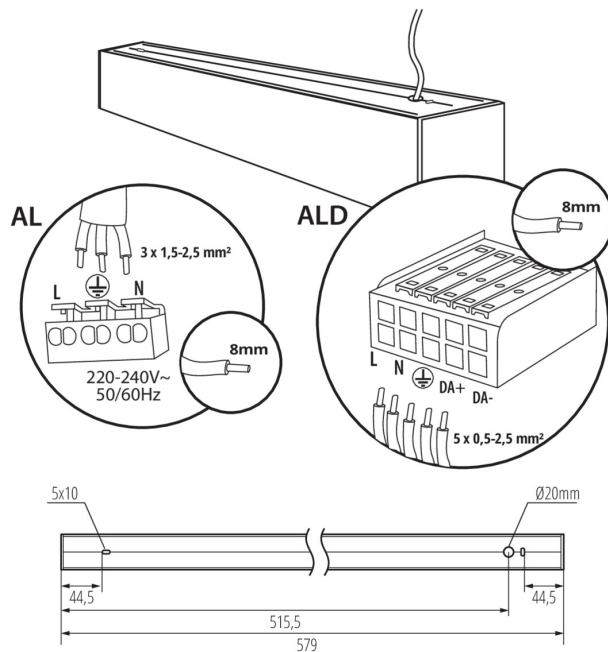
Rated voltage [V]: 220-240 AC
Rated frequency [Hz]: 50
Maximum power [W]: 10
Class of protection against electric shock: I
Lampshade material: plastic
Diode type: LED SMD
Luminous flux [lm]: 1200
Colour temperature: white
Correlated colour temperature [K]: 4000
Colour consistency in McAdam ellipses: ≤3
Colour rendering index: 80
Service life [h]: 50000
Luminous-flux-retention factor at the end of rated service life: L90B10
Number of on/off cycles: ≥30000
Lighting angle [°]: X75/Y90
Luminous efficiency of the lamp [lm/W]: 120
Ambient temperature range to which the product can be exposed: 5÷25
Shade type: microprismatic
Enclosure material: aluminum alloy
Connection type: Self-clamping block
Range of sections of wires used [mm²]: 0,5÷2,5
Lamp-heating time [s]: ≤1
Lamp-ignition time [s]: ≤0,5
IP class: 20

LOGISTIC DATA:

Unit of measurement: unit
Packaging method: 1

34156 ALD-SL-NW-MPR-W-NT

Linear LED luminaire



Number of units in the secondary packaging : 1

Number of units in the packaging : 1

Net unit weight [g] : 1300

Grammage [g] : 1377

Length of a unit pack [cm] : 75

Width of a unit pack [cm] : 11

Height of a unit pack [cm] : 7

Weight of a cardboard box [kg] : 1.377

Width of a cardboard box [cm] : 11

Height of a cardboard box [cm] : 7

Length of a cardboard box [cm] : 75



Volume of a cardboard box [m³] : 0.005775

ADDITIONAL INFORMATION:

- 5 years Warranty under the terms of the warranty statement, available on our website

Linear LED luminaire

ACCESSORIES

32543	ALIN CORD DALI 1F-W	Power supply terminal for ALIN luminaires and tracks, 1-phase, DALI, white, 150 cm
		
32544	ALIN CORD DALI 1F-B	Power supply terminal for ALIN luminaires and tracks, 1-phase, DALI, black, 150 cm
		
32545	ALIN CORD DALI 1F-SR	Power supply terminal for ALIN luminaires and tracks, 1-phase, DALI, silver, 150 cm
		
07871	ROPE-NT 150 SINGLE	ROPE-NT 150 SINGLE steel rope (single) for suspending fittings, 2 pcs. in a set
		
29557	ALIN NT GRIP	Wall bracket for the ALIN luminaire, 2 pcs included
		
27109	KLOSZ MPR AL 11W/17W	MPR shade for fitting ALIN, MPR SHADE AL 11W/17W, (27109)
