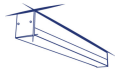


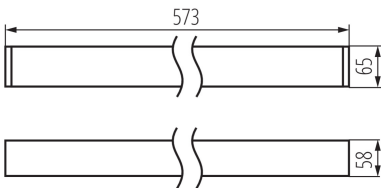
34180 ALD-SL-NW-MPR-S-NT

Linear LED luminaire

5905339341808



DALI
system



GENERAL DATA:

Colour: silver

Place of assembly: ceiling mounted

Place of application: Indoors

Minimum distance from the illuminated object: 0,5m

Compatible with a dimmer: DALI

Fixture lighting direction: down

Length [mm]: 580

Width [mm]: 60

Height [mm]: 69

Integrated LED light source: yes

TECHNICAL DATA:

Rated voltage [V]: 220-240 AC

Rated frequency [Hz]: 50

Maximum power [W]: 10

Class of protection against electric shock: I

Lampshade material: plastic

Diode type: LED SMD

Luminous flux [lm]: 1200

Colour temperature: white

Correlated colour temperature [K]: 4000

Colour consistency in McAdam ellipses: ≤3

Colour rendering index: 80

Service life [h]: 50000

Luminous-flux-retention factor at the end of rated service life: L90B10

Number of on/off cycles: ≥30000

Lighting angle [°]: X75/Y90

Luminous efficiency of the lamp [lm/W]: 120

Ambient temperature range to which the product can be exposed: 5÷25

Shade type: microprismatic

Enclosure material: aluminum alloy

Connection type: Self-clamping block

Range of sections of wires used [mm²]: 0,5÷2,5

Lamp-heating time [s]: ≤1

Lamp-ignition time [s]: ≤0,5

IP class: 20

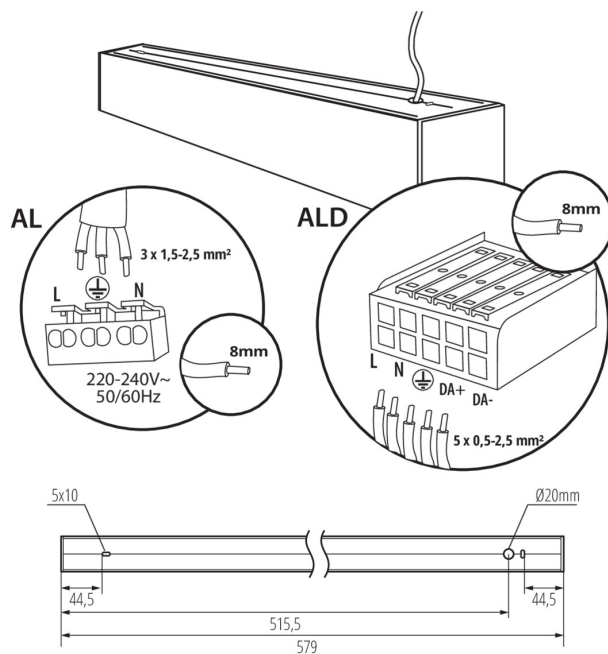
LOGISTIC DATA:

Unit of measurement: unit

Packaging method: 1

34180 ALD-SL-NW-MPR-S-NT

Linear LED luminaire



Number of units in the secondary packaging : 1

Number of units in the packaging : 1

Net unit weight [g] : 1300

Grammage [g] : 1377

Length of a unit pack [cm] : 75

Width of a unit pack [cm] : 11

Height of a unit pack [cm] : 7

Weight of a cardboard box [kg] : 1.377

Width of a cardboard box [cm] : 11

Height of a cardboard box [cm] : 7

Length of a cardboard box [cm] : 75

Volume of a cardboard box [m³] : 0.005775

ADDITIONAL INFORMATION:

- 5 years Warranty under the terms of the warranty statement, available on our website

Linear LED luminaire

ACCESSORIES

32543



ALIN CORD DALI 1F-W

Power supply terminal for ALIN luminaires and tracks, 1-phase, DALI, white, 150 cm

32544



ALIN CORD DALI 1F-B

Power supply terminal for ALIN luminaires and tracks, 1-phase, DALI, black, 150 cm

32545



ALIN CORD DALI 1F-SR

Power supply terminal for ALIN luminaires and tracks, 1-phase, DALI, silver, 150 cm

07871



ROPE-NT 150 SINGLE

ROPE-NT 150 SINGLE steel rope (single) for suspending fittings, 2 pcs. in a set

29557



ALIN NT GRIP

Wall bracket for the ALIN luminaire, 2 pcs included

27109



KLOSZ MPR AL 11W/17W

MPR shade for fitting ALIN, MPR SHADE AL 11W/17W, (27109)