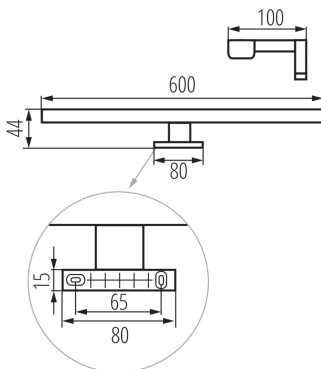


Linear LED furniture light

5905339349347



Kanlux ASTIM is a bathroom luminaire with increased tightness (IP44). These luminaires are mounted to a mirror frame or cabinet. With three versatile colours, you can match them to bathrooms with traditional or modern decor.

### GENERAL DATA:

**Colour:** white

**Place of assembly:** surface mounted

**Place of application:** Indoors

**Minimum distance from the illuminated object:** 0,1m

**Compatible with a dimmer:** no

**Fixture lighting direction:** down

**Length [mm]:** 600

**Width [mm]:** 100

**Height [mm]:** 44

**Mercury content:** no

**Integrated LED light source:** yes

### TECHNICAL DATA:

**Rated voltage [V]:** 220-240 AC

**Rated frequency [Hz]:** 50

**Maximum power [W]:** 12

**Class of protection against electric shock:** II

**Lampshade material:** plastic

**Diode type:** LED SMD

**Luminous flux [lm]:** 1070

**Useful luminous flux of the light source  $\Phi_{use}$  [lm]:** 1450

**Colour temperature:** white

**Correlated colour temperature [K]:** 4000

**Colour consistency in McAdam ellipses:**  $\leq 6$

**Colour rendering index:** 80

**Service life [h]:** 25000

**Number of on/off cycles:**  $\geq 15000$

**Lighting angle [°]:** X120/Y105

**Luminous efficiency of the lamp [lm/W]:** 89

**Ambient temperature range to which the product can be exposed:** 5÷30

**Enclosure material:** aluminum alloy

**Connection type:** Bolt terminal block

**Range of sections of wires used [mm<sup>2</sup>]:** 0,75÷1,5

**Lamp-heating time [s]:**  $\leq 1$

**Lamp-ignition time [s]:**  $\leq 0,5$

**IP class:** 44

## 34934 ASTIM IP44 12W-NW-W

Linear LED furniture light

### LOGISTIC DATA:

**Packaging method:** 20

**Number of units in the secondary packaging:** 1

**Number of units in the packaging:** 20

**Net unit weight [g]:** 238

**Grammage [g]:** 430.5

**Length of a unit pack [cm]:** 13

**Width of a unit pack [cm]:** 5

**Height of a unit pack [cm]:** 61.5

**Weight of a cardboard box [kg]:** 8.61

**Width of a cardboard box [cm]:** 53

**Height of a cardboard box [cm]:** 27.5

**Length of a cardboard box [cm] :** 63

**Volume of a cardboard box [m<sup>3</sup>]:** 0.091823

KANLUX S.A. (kat 34934) ASTIM IP44 12W-NW-W / LDC (Polar)

Luminaire: KANLUX S.A. (kat 34934) ASTIM IP44 12W-NW-W  
Lamps: 1 x ASTIM IP44 12W-NW

