

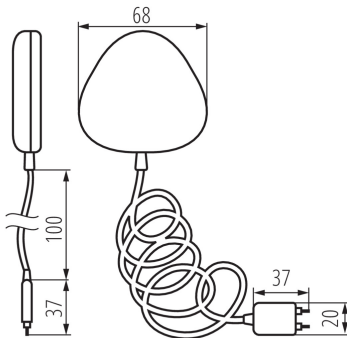
34941 S SENSOR W INT

Flood sensor

5905339349415



S SENSOR W INT



A flood sensor will help you react to water leaking from a broken pipe, a running faucet, or in the event of flooding in the house or apartment caused by external factors. The sensor should be placed in such a location as to enable water detection in the event of flooding. It has a built-in acoustic alarm, but you will also get the information from the app on your mobile device, even when you are away from home. The alarm will let you know when the battery is low. Learn more about Kanlux SMART at www.kanluxsmart.com.

GENERAL DATA:

Colour: white

Place of application: Indoors

Control: Wi-Fi 2,4 GHz

Batteries included: no

Battery-power supply: yes

Battery-power supply: 2 x AAA

TECHNICAL DATA:

Rated voltage [V]: 2 x 1,5 DC

Class of protection against electric shock: III

IP class: 20

Alarm dźwiękowy o niskim poziomie baterii: yes

LOGISTIC DATA:

Unit of measurement: unit

Packaging method: 60

Number of units in the secondary packaging: 1

Number of units in the packaging: 60

Net unit weight [g]: 60

Grammage [g]: 91.67

Length of a unit pack [cm]: 9

Width of a unit pack [cm]: 7.5

Height of a unit pack [cm]: 4.5

Weight of a cardboard box [kg]: 5.5002

Width of a cardboard box [cm]: 39

Height of a cardboard box [cm]: 19

Length of a cardboard box [cm]: 39

Volume of a cardboard box [m³]: 0.028899