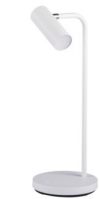


## 35290 LEADIE LED W

LED desk lamp

5905339352903



KANLUX LEADIE LED is an elegant standing lamp. It works great as the main desk light, but also as an additional light source in the room. It can also function as a bedside lamp.

### GENERAL DATA:

**Colour:** white

**Place of assembly:** On the floor

**Place of application:** Indoors

**Minimum distance from the illuminated object:** 0,1m

**Possibility of dimming only with help of an internal electronic system:** yes

**Compatible with a dimmer:** no

**On switch:** yes

**Length [mm]:** 108

**Width [mm]:** 145

**Height [mm]:** 395

**Diameter [mm]:** 146

**Integrated LED light source:** yes

### TECHNICAL DATA:

**Rated voltage [V]:** 220-240 AC

**Rated frequency [Hz]:** 50

**Maximum power [W]:** max 4,6

**Class of protection against electric shock:** II

**Lampshade material:** plastic

**Diode type:** LED SMD

**Luminous flux [lm]:** max 300

**Useful luminous flux of the light source  $\Phi_{use}$  [lm]:** 370

**Useful luminous flux of the light source  $\Phi_{use}$  [lm]:** in wide cone (120°)

**Colour temperature:** Warm white, white, cold white

**Correlated colour temperature [K]:** 3000/4500/6500

**Colour consistency in McAdam ellipses:**  $\leq 6$

**Colour rendering index:** 80

**Service life [h]:** 25000

**Number of on/off cycles:**  $\geq 15000$

**Luminous efficiency of the lamp [lm/W]:** max 65

**Enclosure material:** plastic

**Extension-arm material:** Metal

**Connection type:** Cable terminated with a plug

**Wire length [m]:** 1.7

**Lamp-heating time [s]:**  $\leq 1$

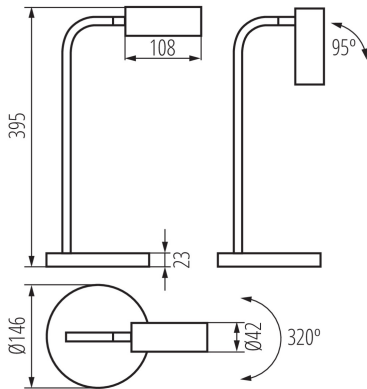
**Lamp-ignition time [s]:**  $\leq 0,5$

**The fixture is movable horizontally [°]:** 320

**The fixture is movable vertically [°]:** 95

## 35290 LEADIE LED W

LED desk lamp



**IP class:** 20

### LOGISTIC DATA:

**Packaging method:** 8

**Number of units in the secondary packaging:** 1

**Number of units in the packaging:** 8

**Net unit weight [g]:** 738

**Grammage [g]:** 1018.75

**Length of a unit pack [cm]:** 15

**Width of a unit pack [cm]:** 15

**Height of a unit pack [cm]:** 43

**Weight of a cardboard box [kg]:** 8.15

**Width of a cardboard box [cm]:** 32.5

**Height of a cardboard box [cm]:** 45

**Length of a cardboard box [cm]:** 61.5

**Volume of a cardboard box [m<sup>3</sup>]:** 0.089944