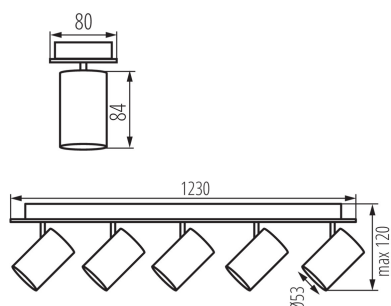


Wall & ceiling lighting fitting

5905339356895



MO-
DE-
RN
design



Kanlux EVALO is a family of simple spots. Scandinavian simplicity and silver elements are a highly elegant classic. The narrow lampshade houses the GU10 light sources (the set includes a suction cup that facilitates their installation). Two colors (black and white) and the number of 1 to 4 light points of these luminaires open up many arrangement possibilities. The Kanlux EVALO spotlight with 1 point is a perfect wall lamp for a desk, bed or sofa. Thanks to this arrangement, Kanlux EVALI can be used as the main and additional light. An additional advantage is the possibility of large adjustment of the light direction (two rotation axes: 320 and 90 degrees).

GENERAL DATA:

Colour: black

Place of assembly: wall mounted, ceiling mounted

Place of application: Indoors

Minimum distance from the illuminated object: 0,5m

The product is not suitable to be covered with a heat-insulating material: yes

Length [mm]: 1230

Width [mm]: 80

Height [mm]: 120

TECHNICAL DATA:

Rated voltage [V]: 220-240 AC

Rated frequency [Hz]: 50

Maximum power [W]: 5 x max 10

Class of protection against electric shock: I

Light source: PAR16

Light source included: no

Cap: GU10

Ambient temperature range to which the product can be exposed: 5÷25

Enclosure material: aluminum alloy

Connection type: Bolt terminal block

Range of sections of wires used [mm²]: 1÷2,5

The fixture is movable horizontally [°]: 320

The fixture is movable vertically [°]: 90

IP class: 20

Wall & ceiling lighting fitting



LOGISTIC DATA:

Packaging method: 1