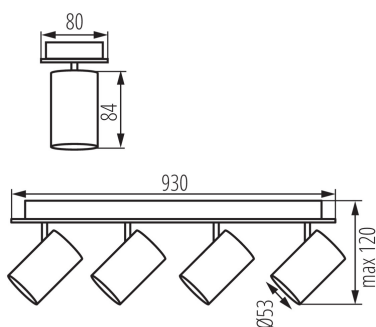


Wall & ceiling lighting fitting

5905339356987



MO  
DE  
RN  
design



Kanlux EVALO is a family of simple spots. Scandinavian simplicity and silver elements are a highly elegant classic. The narrow lampshade houses the GU10 light sources (the set includes a suction cup that facilitates their installation). Two colors (black and white) and the number of 1 to 4 light points of these luminaires open up many arrangement possibilities. The Kanlux EVALO spotlight with 1 point is a perfect wall lamp for a desk, bed or sofa. Thanks to this arrangement, Kanlux EVALI can be used as the main and additional light. An additional advantage is the possibility of large adjustment of the light direction (two rotation axes: 320 and 90 degrees).

#### GENERAL DATA:

**Colour:** white

**Place of assembly:** wall mounted, ceiling mounted

**Place of application:** Indoors

**Minimum distance from the illuminated object:** 0,5m

**The product is not suitable to be covered with a heat-insulating material:** yes

**Length [mm]:** 930

**Width [mm]:** 80

**Height [mm]:** 120

#### TECHNICAL DATA:

**Rated voltage [V]:** 220-240 AC

**Rated frequency [Hz]:** 50

**Maximum power [W]:** 4 x max 10

**Class of protection against electric shock:** I

**Light source:** PAR16

**Light source included:** no

**Cap:** GU10

**Ambient temperature range to which the product can be exposed:** 5÷25

**Enclosure material:** aluminum alloy

**Connection type:** Bolt terminal block

**Range of sections of wires used [mm<sup>2</sup>]:** 1÷2,5

**The fixture is movable horizontally [°]:** 320

**The fixture is movable vertically [°]:** 90

**IP class:** 20

Wall & ceiling lighting fitting



### LOGISTIC DATA:

Packaging method: 1