

## 35816 OS-L5D-WW-RST-W-P1

Recessed - Mounted LED Office Fixture

5905339358165



### GENERAL DATA:

**Colour:** white

**Place of assembly:** Recessed mount in the ceiling

**Place of application:** Indoors

**Minimum distance from the illuminated object :** 0,5m

**Compatible with a dimmer:** no

**The product is not suitable to be covered with a heat-insulating material:** yes

**Length [mm]:** 595

**Width [mm]:** 595

**Height [mm]:** 34

**Integrated LED light source :** yes

### TECHNICAL DATA:

**Rated voltage [V]:** 220-240 AC

**Rated frequency [Hz]:** 50

**Maximum power [W]:** 31W

**Class of protection against electric shock :** I

**Lampshade material:** plastic

**Diode type:** LED SMD

**Luminous flux of the light fitting [lm]:** 4300

**Colour temperature:** Warm white

**Correlated colour temperature [K]:** 3000

**Colour consistency in McAdam ellipses :**  $\leq 3$

**Colour rendering index:** 80

**Service life [h]:** 50000

**Luminous-flux-retention factor at the end of rated service life :**  
L90B10

**Number of on/off cycles :**  $\geq 30000$

**Lighting angle [°]:** 50

**Ambient temperature range to which the product can be exposed:** 5÷25

**Shade type:** louvre

**Enclosure material:** Metal

**Connection type:** Self-clamping block

**Range of sections of wires used [mm<sup>2</sup>]:** 1,5÷2,5

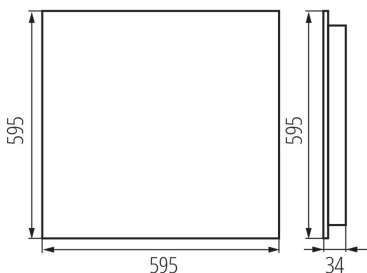
**Lamp-heating time [s]:**  $\leq 1$

**Lamp-ignition time [s]:**  $\leq 0,5$

**Rodzaj soczewki [°]:** 50

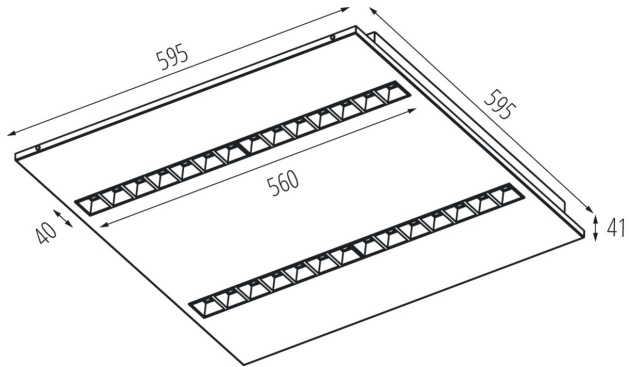
**IP class:** 20

**UGR:**  $\leq 15$



## 35816 OS-L5D-WW-RST-W-P1

Recessed - Mounted LED Office Fixture



### LOGISTIC DATA:

Unit of measurement: unit

Packaging method: 1

Number of units in the secondary packaging : 1

Number of units in the packaging : 1

### ADDITIONAL INFORMATION:

- 5 years Warranty under the terms of the warranty statement, available on our website

KANLUX S.A. (kat 35816) OS-L5D-WW-RST-W-P1 / Krzywa rozsyłu światła (biegunowo)

Oprawa: KANLUX S.A. (kat 35816) OS-L5D-WW-RST-W-P1  
Lampy: 4 x OS-L5D-WW-RST

