

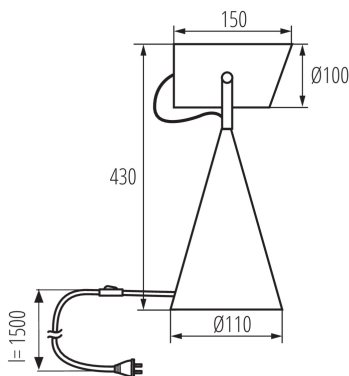
Table lamp

5905339362612



HIGH
quality
finish

DESIGN
unique



Kanlux LARATA E27 is a table lamp made of steel. The finish and the housing itself add elegance and a modern look to the lamp. The Kanlux LARATA table lamp is a unique product, made with attention to every detail. Due to its weight, the lamp remains stable on the surface and does not sway. The arm is adjusted with the help of two elegant screws, and the visible cable is placed in an aesthetic braid.

GENERAL DATA:

Colour: black
Place of assembly: On the floor
Place of application: Indoors
Minimum distance from the illuminated object: 0,1m
On switch: yes
Length [mm]: 150
Width [mm]: 110
Height MAX [mm]: 430

TECHNICAL DATA:

Rated voltage [V]: 220-240 AC
Rated frequency [Hz]: 50
Maximum power [W]: max 5
Class of protection against electric shock: II
Light source included: no
Cap: E27
Ambient temperature range to which the product can be exposed: 5÷25
Enclosure material: Metal
Connection type: Cable terminated with a plug
Wire length [m]: 1.5
The fixture is movable vertically [°]: 110
IP class: 20

LOGISTIC DATA:

Packaging method: 6
Number of units in the secondary packaging: 1
Number of units in the packaging: 6
Net unit weight [g]: 1340
Grammage [g]: 1678.33
Length of a unit pack [cm]: 17.5
Width of a unit pack [cm]: 12.5
Height of a unit pack [cm]: 43
Weight of a cardboard box [kg]: 10.06998
Width of a cardboard box [cm]: 36

Table lamp



Height of a cardboard box [cm]: 46

Length of a cardboard box [cm] : 41.5

Volume of a cardboard box [m³]: 0.068724