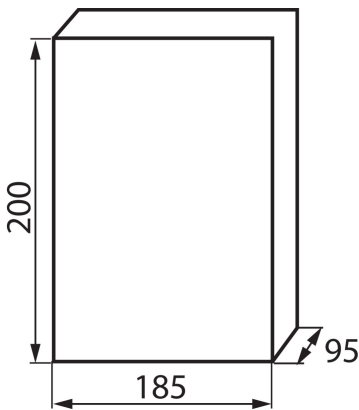


03832 DB108S 1X8P/SMD

DB-series distribution board

5905339038326



DB series switchboards, meeting the requirement for heat resistance at the temperature of 650°C, can be used on non-flammable surfaces only (e.g. full solid walls made of non-combustible materials). They cannot be used on flammable surfaces (e.g. plasterboard, wood boards, etc.), on the so-called “hollow walls” or on technical sections.

GENERAL DATA:

Colour: white / grey
Door colour: grey
Place of assembly: wall mounted
Norm: PN-EN 62208

TECHNICAL DATA:

Rated voltage [V]: 230/400 AC
Rated current [A]: 63
Rated frequency [Hz]: 50
Class of protection against electric shock: II
Material: plastic
Number of modules: 8P
Temperature resistance [°C]: 650
IK class: 06
IP class: 40
number of rows: 1

LOGISTIC DATA:

Packaging method: 20
Number of units in the secondary packaging: 1
Number of units in the packaging: 20
Net unit weight [g]: 464
Grammage [g]: 595
Length of a unit pack [cm]: 20.5
Width of a unit pack [cm]: 19
Height of a unit pack [cm]: 10
Weight of a cardboard box [kg]: 11.9
Width of a cardboard box [cm]: 39.5
Height of a cardboard box [cm]: 43.5
Length of a cardboard box [cm]: 52
Volume of a cardboard box [m³]: 0.089349

03832 DB108S 1X8P/SMD

DB-series distribution board