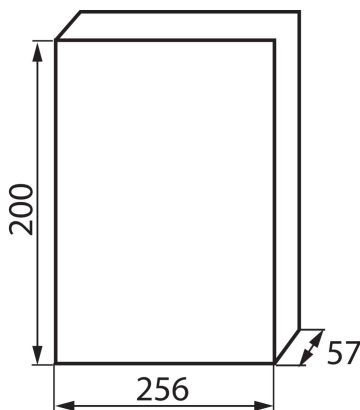


## 03843 DB112F 1X12P/FMD

DB-series distribution board

5905339038432



DB series switchboards, meeting the requirement for heat resistance at the temperature of 650°C, can be used on non-flammable surfaces only (e.g. full solid walls made of non-combustible materials). They cannot be used on flammable surfaces (e.g. plasterboard, wood boards, etc.), on the so-called “hollow walls” or on technical sections.

### GENERAL DATA:

**Colour:** white / grey

**Door colour:** grey

**Place of assembly:** Recessed mount in the wall

**Norm:** PN-EN 62208

### TECHNICAL DATA:

**Rated voltage [V]:** 230/400 AC

**Rated current [A]:** 63

**Rated frequency [Hz]:** 50

**Class of protection against electric shock:** II

**Material:** plastic

**Number of modules:** 12P

**Temperature resistance [°C]:** 650

**IK class:** 06

**IP class:** 40

**number of rows:** 1

### LOGISTIC DATA:

**Packaging method:** 10

**Number of units in the secondary packaging:** 1

**Number of units in the packaging:** 10

**Net unit weight [g]:** 640

**Grammage [g]:** 840

**Length of a unit pack [cm]:** 29

**Width of a unit pack [cm]:** 23

**Height of a unit pack [cm]:** 10.5

**Weight of a cardboard box [kg]:** 8.4

**Width of a cardboard box [cm]:** 30.5

**Height of a cardboard box [cm]:** 47

**Length of a cardboard box [cm]:** 54

**Volume of a cardboard box [m³]:** 0.077409

**03843** DB112F 1X12P/FMD

---

DB-series distribution board