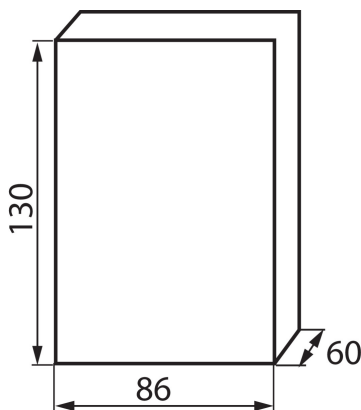


03851 DB104W 1X4P/SM

DB-series distribution board

5905339038517



<p>DB series switchboards, meeting the requirement for heat resistance at the temperature of 650°C, can be used on non-flammable surfaces only (e.g. full solid walls made of non-combustible materials). They cannot be used on flammable surfaces (e.g. plasterboard, wood boards, etc.), on the so-called “hollow walls” or on technical sections.</p>

GENERAL DATA:

Colour: white

Place of assembly: wall mounted

Norm: PN-EN 62208

TECHNICAL DATA:

Rated voltage [V]: 230/400 AC

Rated current [A]: 50

Rated frequency [Hz]: 50

Class of protection against electric shock: II

Material: plastic

Number of modules: 4P

Temperature resistance [°C]: 650

IK class: 06

IP class: 30

number of rows: 1

LOGISTIC DATA:

Packaging method: 5

Number of units in the secondary packaging: 5

Number of units in the packaging: 100

Net unit weight [g]: 89

Grammage [g]: 121

Length of a unit pack [cm]: 8.5

Width of a unit pack [cm]: 6

Height of a unit pack [cm]: 13

Weight of a cardboard box [kg]: 12.1

Width of a cardboard box [cm]: 29

Height of a cardboard box [cm]: 47

Length of a cardboard box [cm]: 74

Volume of a cardboard box [m³]: 0.100862

03851 DB104W 1X4P/SM

DB-series distribution board