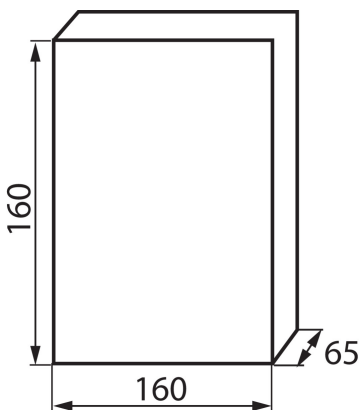


03852 DB108W 1X8P/SM

DB-series distribution board

5905339038524



DB series switchboards, meeting the requirement for heat resistance at the temperature of 650°C, can be used on non-flammable surfaces only (e.g. full solid walls made of non-combustible materials). They cannot be used on flammable surfaces (e.g. plasterboard, wood boards, etc.), on the so-called “hollow walls” or on technical sections.

GENERAL DATA:

Colour: white
Place of assembly: wall mounted
Norm: PN-EN 62208

TECHNICAL DATA:

Rated voltage [V]: 230/400 AC
Rated current [A]: 63
Rated frequency [Hz]: 50
Class of protection against electric shock: II
Material: plastic
Number of modules: 8P
Temperature resistance [°C]: 650
IK class: 06
IP class: 30
number of rows: 1

LOGISTIC DATA:

Packaging method: 2
Number of units in the secondary packaging: 2
Number of units in the packaging: 50
Net unit weight [g]: 231
Grammage [g]: 320
Length of a unit pack [cm]: 16
Width of a unit pack [cm]: 16
Height of a unit pack [cm]: 6.5
Weight of a cardboard box [kg]: 16
Width of a cardboard box [cm]: 34
Height of a cardboard box [cm]: 38
Length of a cardboard box [cm]: 86
Volume of a cardboard box [m³]: 0.111112

03852 DB108W 1X8P/SM

DB-series distribution board