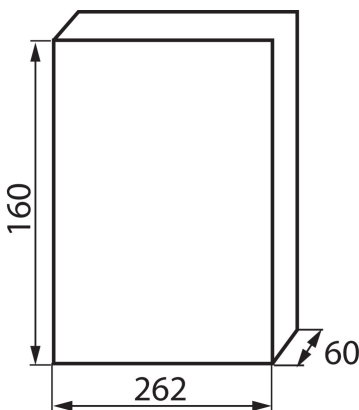


## 03853 DB112W 1X12P/SM

DB-series distribution board

5905339038531



DB series switchboards, meeting the requirement for heat resistance at the temperature of 650°C, can be used on non-flammable surfaces only (e.g. full solid walls made of non-combustible materials). They cannot be used on flammable surfaces (e.g. plasterboard, wood boards, etc.), on the so-called “hollow walls” or on technical sections.

### GENERAL DATA:

**Colour:** white

**Place of assembly:** wall mounted

**Norm:** PN-EN 62208

### TECHNICAL DATA:

**Rated voltage [V]:** 230/400 AC

**Rated current [A]:** 63

**Rated frequency [Hz]:** 50

**Class of protection against electric shock:** II

**Material:** plastic

**Number of modules:** 12P

**Temperature resistance [°C]:** 650

**IK class:** 06

**IP class:** 30

**number of rows:** 1

### LOGISTIC DATA:

**Packaging method:** 20

**Number of units in the secondary packaging:** 1

**Number of units in the packaging:** 20

**Net unit weight [g]:** 300

**Grammage [g]:** 415

**Length of a unit pack [cm]:** 26.5

**Width of a unit pack [cm]:** 17

**Height of a unit pack [cm]:** 7

**Weight of a cardboard box [kg]:** 8.3

**Width of a cardboard box [cm]:** 36

**Height of a cardboard box [cm]:** 36.5

**Length of a cardboard box [cm]:** 54

**Volume of a cardboard box [m³]:** 0.070956

**03853** DB112W 1X12P/SM

---

DB-series distribution board