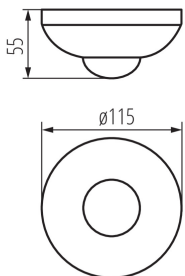


PIR motion sensor

5905339004642



Kanlux ZONA JQ is a motion detector whose maximum detection range comes to 10 metres. You can set adjustments of the lighting time and light intensity level at which the detector works.

GENERAL DATA:

Colour: white

Place of assembly: ceiling mounted

Place of application: Indoors

Micro-interval between relay contacts: yes

Height [mm]: 55

Diameter [mm]: 115

TECHNICAL DATA:

Rated voltage [V]: 220-240 AC

Rated frequency [Hz]: 50

Class of protection against electric shock: II

Material: plastic

Ambient temperature range to which the product can be exposed: -20÷40

Sensor type: PIR

Connection type: Bolt terminal block

Range of sections of wires used [mm²]: 1÷2,5

Sensor-operation time [second-minute]: 15-7

sensor working angle [°]: H360/V120

Maximum operating time [min]: 7

Minimum operating time[s]: 15

Maximum power [VA]: 1200

Illumination-level setpoint by which the sensor detects movement [lx]: 3-2000

IP class: 20

Sensor range[m]: max 10

LOGISTIC DATA:

Packaging method: 50

Number of units in the secondary packaging: 1

Number of units in the packaging: 50

Net unit weight [g]: 142

Grammage [g]: 210

Length of a unit pack [cm]: 11.5

Width of a unit pack [cm]: 11.5

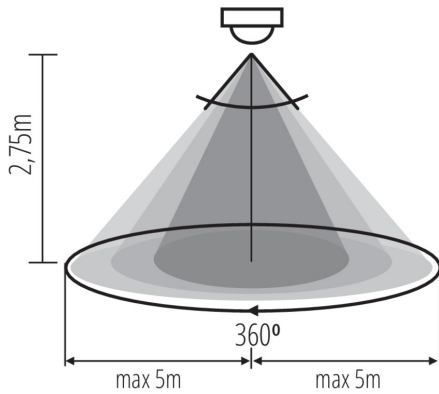
Height of a unit pack [cm]: 6

Weight of a cardboard box [kg]: 10.5

Width of a cardboard box [cm]: 33

Height of a cardboard box [cm]: 25.5

PIR motion sensor



Length of a cardboard box [cm] : 60

Volume of a cardboard box [m³]: 0.05049

ADDITIONAL INFORMATION:

- Maximum movement detection up to 10m
- Maximum horizontal angle of operation of the motion sensor - 360°
- Maximum vertical angle of operation of the motion sensor - 120°
- Light on time adjustable from 15s to 7min
- Capability to set the light intensity of the environment in which the device works