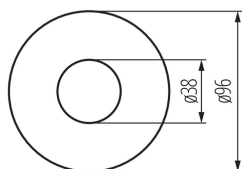


MW motion sensor

5905339088215



Kanlux ROLF JQ is a motion detector. The horizontal angle of the detector work comes to 360 degrees. You can set adjustments of the lighting time and light intensity level at which the detector works.

### GENERAL DATA:

**Colour:** white

**Place of assembly:** ceiling mounted

**Place of application:** Indoors

**Micro-interval between relay contacts:** yes

**Height [mm]:** 42

**Diameter [mm]:** 96

**Sensitivity regulation:** yes

### TECHNICAL DATA:

**Rated voltage [V]:** 220-240 AC

**Rated frequency [Hz]:** 50

**Class of protection against electric shock:** II

**Material:** plastic

**Ambient temperature range to which the product can be exposed:** 5÷25

**Sensor type:** microwave

**Connection type:** Terminal block

**Range of sections of wires used [mm<sup>2</sup>]:** 0,75÷1,5

**Sensor-operation time [second-minute]:** 6-12

**Sensor-operation frequency [MHz]:** 5,8

**sensor working angle [°]:** H360/V160

**Maximum operating time [min]:** 12

**Minimum operating time[s]:** 6

**Maximum power [VA]:** 1200

**Illumination-level setpoint by which the sensor detects movement [lx]:** 2-2000

**IP class:** 20

**Sensor range[m]:** max 9

### LOGISTIC DATA:

**Packaging method:** 100

**Number of units in the secondary packaging:** 1

**Number of units in the packaging:** 100

**Net unit weight [g]:** 120

**Grammage [g]:** 162

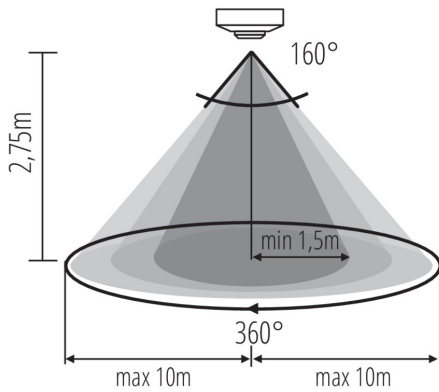
**Length of a unit pack [cm]:** 10

**Width of a unit pack [cm]:** 5

**Height of a unit pack [cm]:** 10

**Weight of a cardboard box [kg]:** 16.2

### MW motion sensor



**Width of a cardboard box [cm]:** 27

**Height of a cardboard box [cm]:** 43

**Length of a cardboard box [cm] :** 52

**Volume of a cardboard box [m<sup>3</sup>]:** 0.060372

#### ADDITIONAL INFORMATION:

- Maximum movement detection up to 9m
- Maximum horizontal angle of operation of the motion sensor - 360°
- Maximum vertical angle of operation of the motion sensor - 160°
- Light on time adjustable from 6s to 12min
- Capability to set the light intensity of the environment in which the device works
- Sensitivity adjustment in the range of 2...2000lx
- Motion detection 0.3...3m/s (1...10km/h)