

24367 SONOR CCT UP 12W B

Ceiling-mounted spotlight fitting

5905339243676



PRODUCT PARAMETERS

Rated voltage [V]	220-240 AC
Rated frequency [Hz]	50
Maximum power [W]	max 12
Luminous flux [lm]	1100/1180/1160
Correlated colour temperature [K]	3000/4000/5700
Colour consistency in McAdam ellipses	6
Colour temperature	warm white, white, cold white
Lighting angle [°]	110
Diode type	LED SMD
Integrated LED light source	yes
Colour rendering index	80
Service life [h]	30000
Number of on/off cycles	15000
Place of application	Indoors
IP class	20
Compatible with a dimmer	no

Date of issue: 01.07.2026, 12:45

We reserve the right to make technical changes. The data contained in this material are not legally binding.

Photometry: the results obtained from testing were from a specific sample.

Kanlux S.A. ul. Objazdowa 1-3, 41-922 Radzionków, Poland kanlux@kanlux.com

PRODUCT PARAMETERS

LED light source replaceability

Possibility of replacing the LED light source only by qualified personnel (only by the manufacturer service)

Control gear replaceability

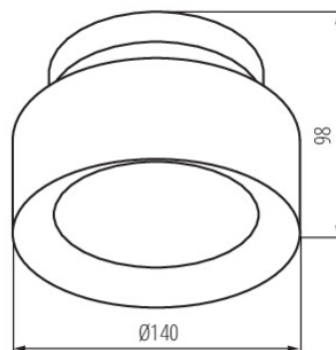
Possibility of replacing the control equipment only by qualified personnel (only by the manufacturer service)

Product category according to 2019/2020/EU

Containing product (CP)

DIMENSIONS AND MOUNTING

Height [mm]	98
Diameter [mm]	140
Place of assembly	ceiling mounted
Connection type	Self-clamping block
Range of sections of wires used [mm ²]	0,5÷1,5



MATERIAL AND CONSTRUCTION

Colour	black
Enclosure material	aluminum alloy
Lampshade material	plastic
Class of protection against electric shock	II
Kształt	round
Minimum distance from the illuminated object	0,5m
Ambient temperature range to which the product can be exposed	5÷25

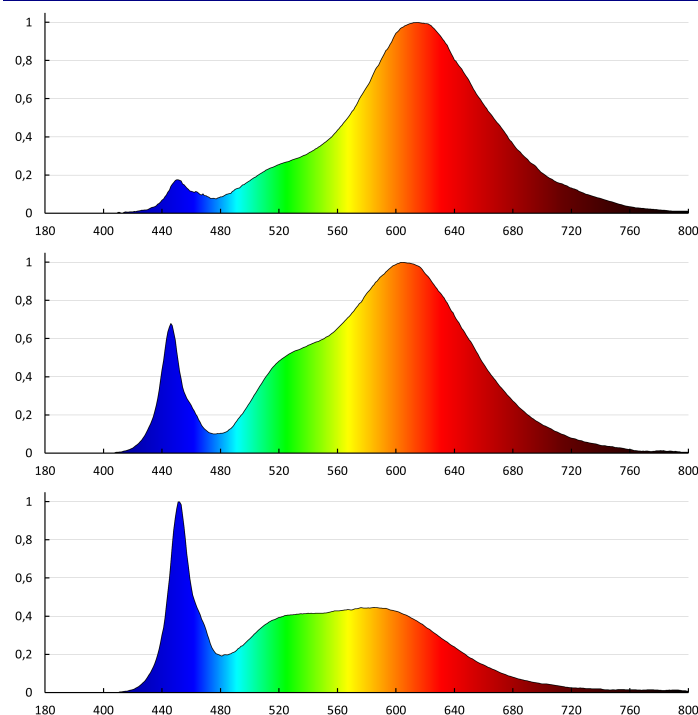
LIGHT SOURCE PARAMETERS

Energy efficiency class of the light source in the contains product (CP)	D
Number of modules (LED light source)	1/1
Useful luminous flux of the light source Φ_{use} [lm]	1760/100
Useful luminous flux of the light source Φ_{use} [lm]	in sphere (360°)

LOGISTICS

Unit of measurement	unit
Packaging method	27
Number of units in the secondary packaging	1
Number of units in the packaging	27
Net unit weight [g]	420
Grammage [g]	533.33
Gross unit weight [g]	508
Length of a unit pack [cm]	15
Width of a unit pack [cm]	15
Height of a unit pack [cm]	11
Weight of a cardboard box [kg]	14.39991
Width of a cardboard box [cm]	46.5
Height of a cardboard box [cm]	35.5
Length of a cardboard box [cm]	46.5
Volume of a cardboard box [m ³]	0.07676

PHOTOMETRIC DATA



Date of issue: 01.07.2026, 12:45

We reserve the right to make technical changes. The data contained in this material are not legally binding.

Photometry: the results obtained from testing were from a specific sample.

Kanlux S.A. ul. Objazdowa 1-3, 41-922 Radzionków, Poland kanlux@kanlux.com