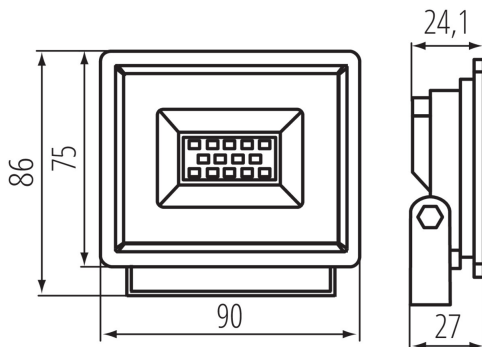


# 31390 GRUN NV LED-10-B

LED floodlight

8595665313906



### TYPE OF LIGHT SOURCE:

- Lighting technology used: LED
- Non-directional or directional light source : DLS
- Mains or non-mains light source : MLS
- Connected light source (CLS): no
- Colour-tuneable light source: no
- High luminance light source: no
- Anti-glare shield: no
- Dimmable: no

### PRODUCT PARAMETERS:

- Colour: black
- Place of assembly: wall mounted, ceiling mounted, surface mounted
- Place of application: for industrial applications
- Minimum distance from the illuminated object : 0,5m
- Compatible with a dimmer : no
- Width [mm]: 90
- Height [mm]: 86
- Depth [mm]: 27
- Rated voltage [V]: 220-240 AC
- Rated frequency [Hz]: 50
- Maximum power [W]: 10
- Class of protection against electric shock : I
- Lampshade material: Tempered glass
- Diode type: LED SMD
- Luminous flux [lm]: 800
- Colour temperature: white
- Service life [h]: 25000
- Number of on/off cycles : ≥30000
- Lighting angle [°]: 110
- Ambient temperature range to which the product can be exposed: -15÷35
- Enclosure material: aluminum alloy
- Wire length [m]: 0.15
- Wire diameter [mm²]: 1
- Reflector type: symmetrical
- Lamp-heating time [s]: ≤1
- Lamp-ignition time [s]: ≤0,5
- The fixture is movable vertically [°]: 130
- IP class: 65
- Additional information: Light source (LS)
- Mercury content: no

**31390 GRUN NV LED-10-B**

LED floodlight

**PARAMETERS FOR DIRECTIONAL LIGHT SOURCES:**

Peak luminous intensity [cd]: 356

Beam angle [°]: 110

**PARAMETERS FOR LED AND OLED LIGHT SOURCES:**

Energy consumption in on-mode of the light source

(kWh/1000h): 10

Energy efficiency class: F

Useful luminous flux of the light source  $\Phi_{use}$  [lm]: 750Useful luminous flux of the light source  $\Phi_{use}$  [lm]: w szerokim stożku (120°)

Correlated colour temperature [K]: 4000

Colour consistency in McAdam ellipses:  $\leq 6$ On-mode power of the light source  $P_{on}$  [W]: 10

Height of the light source [mm]: 86

Width of the light source [mm]: 90

Depth of the light source [mm]: 27

Colour rendering index: 70

Chromaticity coordinates (x): 0,38

Chromaticity coordinates (y): 0,38

R9 colour rendering index value: -34

Survival factor: 0,9

The lumen maintenance factor: 0,96

**PARAMETERS FOR LED AND OLED MAINS LIGHT SOURCES:**Displacement factor ( $\cos \phi_1$ ): 0,9

LED light source replaces a fluorescent light source without integrated ballast of a particular wattage: Not applicable

Flicker metric (Pst LM): 1.0

Stroboscopic effect metric (SVM): 0,4

**LOGISTIC DATA:**

Unit of measurement: unit

Packaging method: 60

Number of units in the packaging: 60

Net unit weight [g]: 146

Grammage [g]: 175

Length of a unit pack [cm]: 9.5

Width of a unit pack [cm]: 3.5

Height of a unit pack [cm]: 9

Weight of a cardboard box [kg]: 10.5

Width of a cardboard box [cm]: 28.5

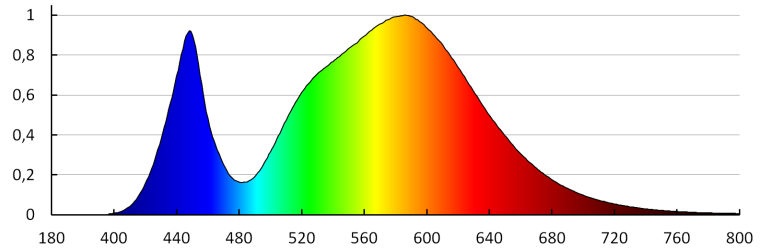
Height of a cardboard box [cm]: 21

Length of a cardboard box [cm]: 35

# 31390 GRUN NV LED-10-B

LED floodlight

Volume of a cardboard box [m<sup>3</sup>] : 0.020948



MILEDO (kat 31390) GRUN NV LED-10-B / LDC (Polar)

Luminaire: MILEDO (kat 31390) GRUN NV LED-10-B  
Lamps: 1 x GRUN NV LED-10-B

