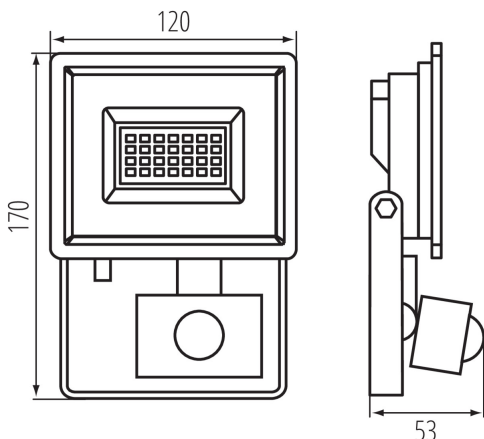


# 31398 GRUN NV LED-20-B-SE

LED floodlight

8595665313982



### TYPE OF LIGHT SOURCE:

Lighting technology used: LED  
 Non-directional or directional light source : DLS  
 Mains or non-mains light source : MLS  
 Connected light source (CLS): no  
 Colour-tuneable light source: no  
 High luminance light source: no  
 Anti-glare shield: no  
 Dimmable: no

### PRODUCT PARAMETERS:

Colour: black  
 Place of assembly: wall mounted, ceiling mounted, surface mounted  
 Place of application: for industrial applications  
 Minimum distance from the illuminated object : 0,5m  
 Compatible with a dimmer: no  
 Wykrywanie ruchu: yes  
 Width [mm]: 120  
 Height [mm]: 170  
 Depth [mm]: 53  
 Sensitivity regulation: yes  
 Rated voltage [V]: 220-240 AC  
 Rated frequency [Hz]: 50  
 Maximum power [W]: 20  
 Class of protection against electric shock : I  
 Lampshade material: Tempered glass  
 Diode type: LED SMD  
 Luminous flux [lm]: 1700  
 Colour temperature: white  
 Service life [h]: 25000  
 Number of on/off cycles :  $\geq 30000$   
 Lighting angle [°]: 110  
 Ambient temperature range to which the product can be exposed: -15÷35  
 Enclosure material: aluminum alloy  
 Sensor type: PIR  
 Wire length [m]: 0.15  
 Wire diameter [mm<sup>2</sup>]: 1  
 Reflector type: symmetrical  
 Sensor-operation time [second-minute]: 10-10  
 Lamp-heating time [s]:  $\leq 1$   
 Lamp-ignition time [s]:  $\leq 0,5$

# 31398 GRUN NV LED-20-B-SE

## LED floodlight



sensor working angle [°]: 120

Illumination-level setpoint by which the sensor detects movement [lx]: 3-2000

The fixture is movable vertically [°]: 130

IP class: 44

Sensor range[m]: max 10

Additional information: Light source (LS)

Mercury content: no

### PARAMETERS FOR DIRECTIONAL LIGHT SOURCES:

Peak luminous intensity [cd]: 628

Beam angle [°]: 110

### PARAMETERS FOR LED AND OLED LIGHT SOURCES:

Energy consumption in on-mode of the light source

(kWh/1000h): 20

Energy efficiency class: F

Useful luminous flux of the light source  $\Phi_{use}$  [lm]: 1620

Useful luminous flux of the light source  $\Phi_{use}$  [lm]: w szerokim stożku (120°)

Correlated colour temperature [K]: 4000

Colour consistency in McAdam ellipses:  $\leq 6$

On-mode power of the light source  $P_{on}$  [W]: 20

Height of the light source [mm]: 170

Width of the light source [mm]: 120

Depth of the light source [mm]: 53

Colour rendering index: 70

Chromaticity coordinates (x): 0,38

Chromaticity coordinates (y): 0,38

R9 colour rendering index value: -35

Survival factor: 0,9

The lumen maintenance factor: 0,96

### PARAMETERS FOR LED AND OLED MAINS LIGHT SOURCES:

Displacement factor ( $\cos \phi_1$ ): 0,9

LED light source replaces a fluorescent light source without integrated ballast of a particular wattage: Not applicable

Flicker metric (Pst LM): 1.0

Stroboscopic effect metric (SVM): 0,4

### LOGISTIC DATA:

Unit of measurement: unit

Packaging method: 40

Number of units in the packaging: 40

## 31398 GRUN NV LED-20-B-SE

LED floodlight

**Net unit weight [g]: 280**

**Grammage [g]: 359.25**

**Length of a unit pack [cm]: 17.5**

**Width of a unit pack [cm]: 6**

**Height of a unit pack [cm]: 12.5**

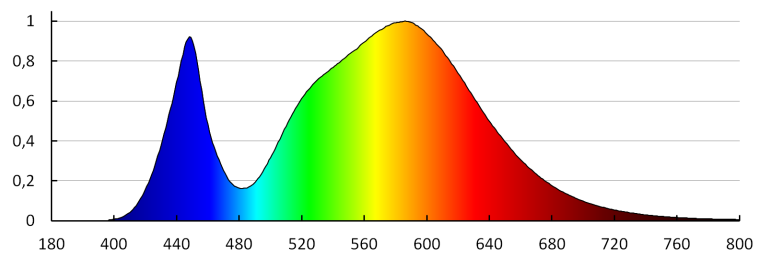
**Weight of a cardboard box [kg]: 14.37**

**Width of a cardboard box [cm]: 37**

**Height of a cardboard box [cm]: 27.5**

**Length of a cardboard box [cm]: 60**

**Volume of a cardboard box [m<sup>3</sup>]: 0.06105**



MILED0 (kat 31398) GRUN NV LED-20-B-SE / LDC (Polar)

Luminaire: MILED0 (kat 31398) GRUN NV LED-20-B-SE  
Lamps: 1 x GRUN NV LED-20-B

