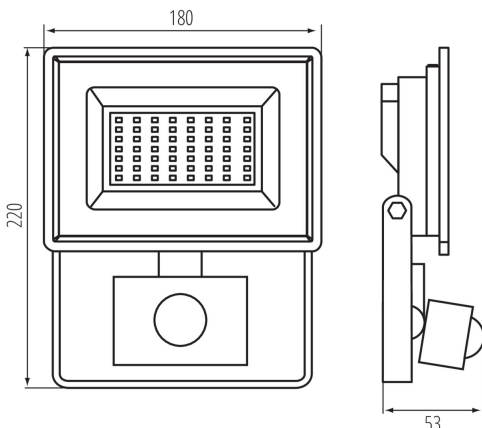


# 31400 GRUN NV LED-50-B-SE

LED floodlight

8595665314002



## TYPE OF LIGHT SOURCE:

Lighting technology used: LED  
 Non-directional or directional light source : DLS  
 Mains or non-mains light source : MLS  
 Connected light source (CLS): no  
 Colour-tuneable light source: no  
 High luminance light source: no  
 Anti-glare shield: no  
 Dimmable: no

## PRODUCT PARAMETERS:

Colour: black  
 Place of assembly: wall mounted, ceiling mounted, surface mounted  
 Place of application: for industrial applications  
 Minimum distance from the illuminated object : 0,5m  
 Compatible with a dimmer: no  
 Wykrywanie ruchu: yes  
 Width [mm]: 180  
 Height [mm]: 220  
 Depth [mm]: 53  
 Sensitivity regulation: yes  
 Rated voltage [V]: 220-240 AC  
 Rated frequency [Hz]: 50  
 Maximum power [W]: 50  
 Class of protection against electric shock : I  
 Lampshade material: Tempered glass  
 Diode type: LED SMD  
 Luminous flux [lm]: 4500  
 Colour temperature: white  
 Service life [h]: 25000  
 Number of on/off cycles :  $\geq 30000$   
 Lighting angle [°]: 110  
 Ambient temperature range to which the product can be exposed: -15÷35  
 Enclosure material: aluminum alloy  
 Sensor type: PIR  
 Wire length [m]: 0.15  
 Wire diameter [mm<sup>2</sup>]: 1  
 Reflector type: symmetrical  
 Sensor-operation time [second-minute]: 10-10  
 Lamp-heating time [s]:  $\leq 1$   
 Lamp-ignition time [s]:  $\leq 0,5$

**31400 GRUN NV LED-50-B-SE**

## LED floodlight



sensor working angle [°]: 120

Illumination-level setpoint by which the sensor detects movement [lx]: 3-2000

The fixture is movable vertically [°]: 130

IP class: 44

Sensor range[m]: max 10

Additional information: Light source (LS)

Mercury content: no

**PARAMETERS FOR DIRECTIONAL LIGHT SOURCES:**

Peak luminous intensity [cd]: 1685

Beam angle [°]: 110

**PARAMETERS FOR LED AND OLED LIGHT SOURCES:**

Energy consumption in on-mode of the light source (kWh/1000h): 50

Energy efficiency class: F

Useful luminous flux of the light source  $\Phi_{use}$  [lm]: 4260

Useful luminous flux of the light source  $\Phi_{use}$  [lm]: w szerokim stożku (120°)

Correlated colour temperature [K]: 4000

Colour consistency in McAdam ellipses:  $\leq 6$

On-mode power of the light source  $P_{on}$  [W]: 50

Height of the light source [mm]: 220

Width of the light source [mm]: 180

Depth of the light source [mm]: 53

Colour rendering index: 70

Chromaticity coordinates (x): 0,38

Chromaticity coordinates (y): 0,38

R9 colour rendering index value: -34

Survival factor: 0,9

The lumen maintenance factor: 0,96

**PARAMETERS FOR LED AND OLED MAINS LIGHT SOURCES:**

Displacement factor ( $\cos \phi_1$ ): 0,9

LED light source replaces a fluorescent light source without integrated ballast of a particular wattage: Not applicable

Flicker metric (Pst LM): 1.0

Stroboscopic effect metric (SVM): 0,4

**LOGISTIC DATA:**

Unit of measurement: unit

Packaging method: 10

Number of units in the packaging: 10

## 31400 GRUN NV LED-50-B-SE

LED floodlight

**Net unit weight [g]:** 556

**Grammage [g]:** 690

**Length of a unit pack [cm]:** 23

**Width of a unit pack [cm]:** 5.5

**Height of a unit pack [cm]:** 18.5

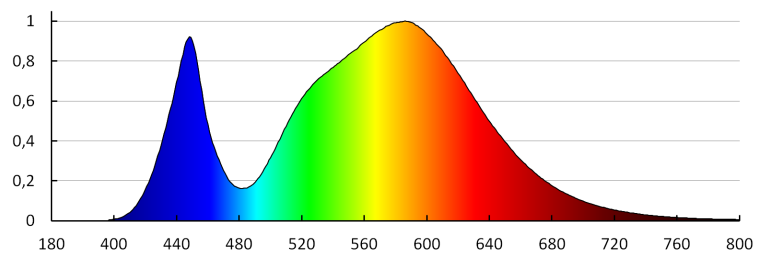
**Weight of a cardboard box [kg]:** 6.9

**Width of a cardboard box [cm]:** 25

**Height of a cardboard box [cm]:** 20.5

**Length of a cardboard box [cm]:** 60

**Volume of a cardboard box [m<sup>3</sup>]:** 0.03075



MILEDO (kat 31400) GRUN NV LED-50-B-SE / LDC (Polar)

Luminaire: MILEDO (kat 31400) GRUN NV LED-50-B-SE  
Lamps: 1 x GRUN NV LED-50-B

