

33490 LOGI-02-1561-102

Type E power socket, IP44

5905339334909



A grounded single socket outlet allows you to power an electrical circuit with a maximum load of 16A. In addition, the socket outlet has a hinged lid, thanks to which it maintains the IP rating of IP 44 and may be installed in areas with splash water (bathrooms).

PRODUCT PARAMETERS:

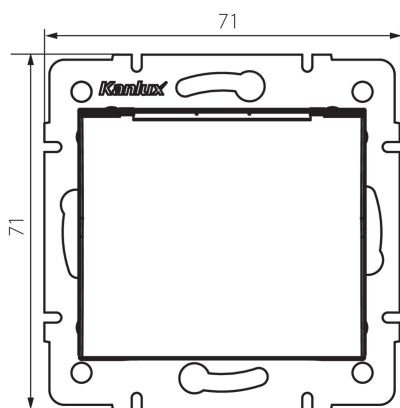
Colour: white
Place of assembly: Recessed mount in the wall
Width [mm]: 71
Height [mm]: 71
Diameter of an installation box: 60
Installation depth: 25
Number of sockets: 1
Rated voltage [V]: 250 AC
Rated current [A]: 16
Class of protection against electric shock: I
Material of contacts: CuZn70
Earthing type: Type E
Terminal type: Screw terminal
Plastic: ABS
IP class: 44

LOGISTIC DATA:

Packaging method: 10
Number of units in the secondary packaging: 10
Number of units in the packaging: 120
Net unit weight [g]: 84
Grammage [g]: 95.08
Length of a unit pack [cm]: 5
Width of a unit pack [cm]: 7
Height of a unit pack [cm]: 7
Weight of a cardboard box [kg]: 11.4096
Width of a cardboard box [cm]: 26.5
Height of a cardboard box [cm]: 32

33490 LOGI-02-1561-102

Type E power socket, IP44



Length of a cardboard box [cm] : 44

Volume of a cardboard box [m³]: 0.037312